

Sprockets

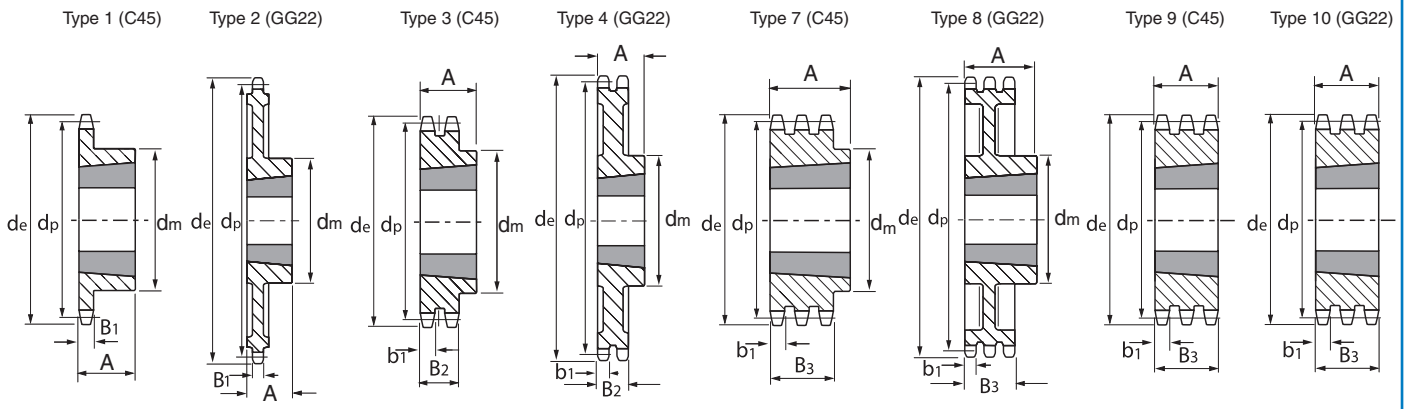
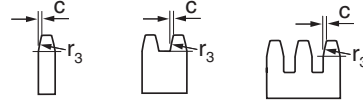


Taper Bore Sprockets

BS Taper Bore Sprockets

06B 3/8" x 7/32"

SPROCKET	mm	CHAIN	mm
Tooth Radius r_3	10.0	Pitch	9.525
Chamfer c	1.0	Width Between Inner Plates	5.720
Tooth Width b_1	5.2	Roller Diameter	6.350
Tooth Width B_1	5.3		
Tooth Width B_2	15.4		
Tooth Width B_3	25.6		



Teeth	Outer Dia d_e	Pitch Dia d_p	Simplex					Duplex					Triplex				
			Ref	Hub Dia d_m	Length thro' Bore A	Taper	Type	Ref	Hub Dia d_m	Length thro' Bore A	Taper	Type	Ref	Hub Dia d_m	Length thro' Bore A	Taper	Type
17	55.3	51.83	31-17	45	22	1008	1	32-17	41	22	1008	3	33-17	-	25.6	1008	9
18	58.3	54.85	31-18	45	22	1008	1	32-18	43	22	1008	3					
19	61.3	57.87	31-19	45	22	1008	1	32-19	46	22	1008	3	33-19	-	25.6	1008	9
20	64.3	60.89	31-20	46	22	1008	1	32-20	48	22	1008	3					
21	68.0	63.91	31-21	46	22	1008	1	32-21	49	22	1008	3	33-21	-	25.6	1008	9
22	71.0	66.93	31-22	50	22	1108	1	32-22	52	22	1108	3					
23	73.5	69.95	31-23	63	25	1210	1	32-23	59	25	1210	3	33-23	-	25.6	1210	9
24	77.0	72.97	31-24	63	25	1210	1	32-24	61	25	1210	3					
25	80.0	76.02	31-25	63	25	1210	1	32-25	64	25	1210	3	33-25	-	25.6	1210	9
26	83.0	79.02	31-26	63	25	1210	1	32-26	65	25	1210	3					
27	86.0	82.02	31-27	63	25	1210	1	32-27	70	25	1210	3	33-27	-	25.6	1210	9
28	89.0	85.07	31-28	63	25	1210	1	32-28	70	25	1210	3					
30	94.7	91.12	31-30	63	25	1210	1	32-30	75	25	1210	3	33-30	79.0	38.0	1615	7
38	119.5	115.35	31-38	70	25	1210	1	32-38	80	25	1610	3	33-38	90.0	36.0	1615	7
45	140.7	136.55	31-45	70	25	1210	1	32-45	80	25	1610	3					
38	119.5	115.35	31-38	70	25	1210	2	32-38	80	25	1610	4	33-38	-	25.6	1610	10
45	140.7	136.55	31-45	70	25	1210	2	32-45	80	25	1610	4	33-45	-	25.6	1610	10
57	176.9	172.91	31-57	70	25	1210	2	32-57	80	25	1610	4	33-57	-	25.6	1610	10
76	234.9	230.49	31-76	70	25	1210	2	32-76	80	25	1610	4	33-76	-	25.6	1610	10
95	292.5	288.08	31-95	80	25	1210	2	32-95	90	25	1610	4					
114	349.6	345.68	31-114	80	25	1610	2	32-114	95	32	2012	4	33-114	95.0	32.0	2012	8

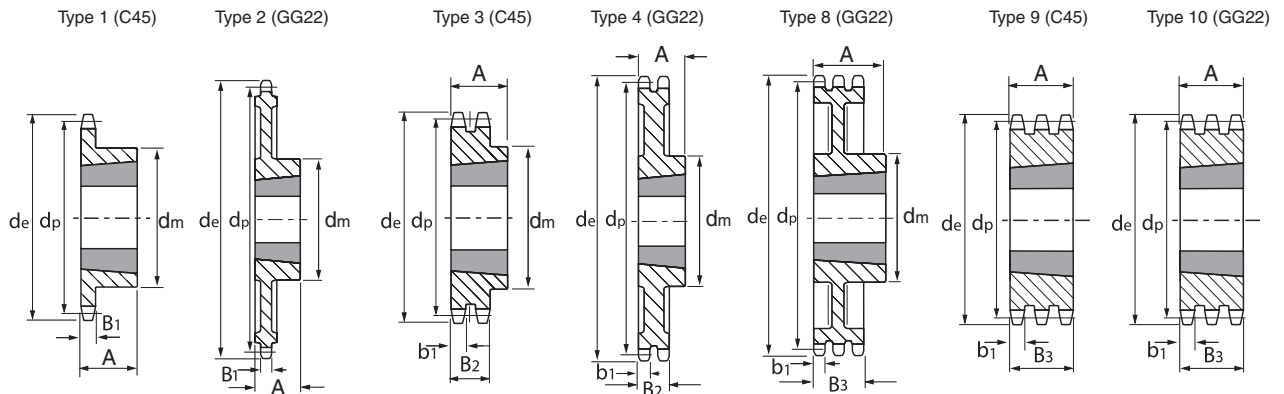
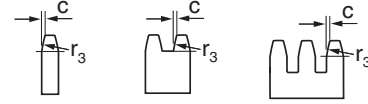
All dimensions in millimetres unless otherwise stated. Every effort has been taken to ensure that the data listed in this catalogue is correct. Challenge accepts no liability for any inaccuracies or damage caused.

Taper Bore Sprockets

BS Taper Bore Sprockets

08B 1/2" x 5/16"

SPROCKET	mm	CHAIN	mm
Tooth Radius r_3	13.0	Pitch	12.700
Chamfer c	1.3	Width Between Inner Plates	7.750
Tooth Width b_1	7.0	Roller Diameter	8.510
Tooth Width B_1	7.2		
Tooth Width B_2	21.0		
Tooth Width B_3	34.9		



Teeth	Outer Dia d_e	Pitch Dia d_p	Simplex					Duplex					Triplex					
			Ref	Hub Dia d_m	Length thro' Bore	Taper	Type	Ref	Hub Dia d_m	Length thro' Bore	Taper	Type	Ref	Hub Dia d_m	Length thro' Bore	Taper	Type	
14	61.8	57.07	41-14	45	22	1008	1											
15	65.5	61.90	41-15	45	22	1008	1	42-15	46	22	1008	3	43-15	-	34.9	1008	9	
16	69.5	65.10	41-16	50	22	1108	1	42-16	50	22	1108	3						
17	73.6	69.11	41-17	60	25	1210	1	42-17	56	25	1210	3	43-17	-	34.9	1210	9	
18	77.8	73.14	41-18	60	25	1210	1	42-18	60	25	1210	3						
19	81.7	77.16	41-19	63	25	1210	1	42-19	62	25	1210	3	43-19	-	34.9	1210	9	
20	85.8	81.19	41-20	71	25	1610	1	42-20	66	25	1610	3						
21	89.7	85.22	41-21	71	25	1610	1	42-21	70	25	1610	3	43-21	-	34.9	1610	9	
22	93.8	89.24	41-22	71	25	1610	1	42-22	76	25	1610	3						
23	98.2	93.27	41-23	76	25	1610	1	42-23	79	25	1610	3	43-23	-	34.9	1610	9	
24	101.8	97.29	41-24	76	25	1610	1	42-24	84	25	1610	3						
25	105.8	101.33	41-25	76	25	1610	1	42-25	87	32	2012	3	43-25	-	34.9	2012	9	
26	110.0	105.36	41-26	76	25	1610	1	42-26	87	32	2012	3						
27	114.0	109.40	41-27	76	25	1610	1	42-27	87	32	2012	3	43-27	-	34.9	2012	9	
28	118.0	113.42	41-28	90	32	2012	1	42-28	87	32	2012	3						
30	126.1	121.50	41-30	90	32	2012	1	42-30	87	32	2012	3	43-30	-	34.9	2012	9	
38	158.6	153.80	41-38	90	32	2012	1	42-38	100	32	2012	3	43-38	-	34.9	2012	9	
45	188.0	182.07	41-45	100	32	2012	1											
38	158.6	153.80	41-38	95	32	2012	2	42-38	95	32	2012	4	43-38	-	34.9	2012	10	
45	188.0	182.07	41-45	95	32	2012	2	42-45	100	32	2012	4	43-45	95	34.9	2012	8	
57	236.4	230.54	41-57	100	32	2012	2	42-57	100	32	2012	4	43-57	95	34.9	2012	8	
76	313.3	307.33	41-76	100	32	2012	2	42-76	100	32	2012	4	43-76	95	34.9	2012	8	
95	390.1	384.11	41-95	100	32	2012	2	42-95	100	32	2012	4	43-95	95	34.9	2012	8	
114	400.9	460.90	41-114	110	45	2517	2	42-114	110	45	2517	4						

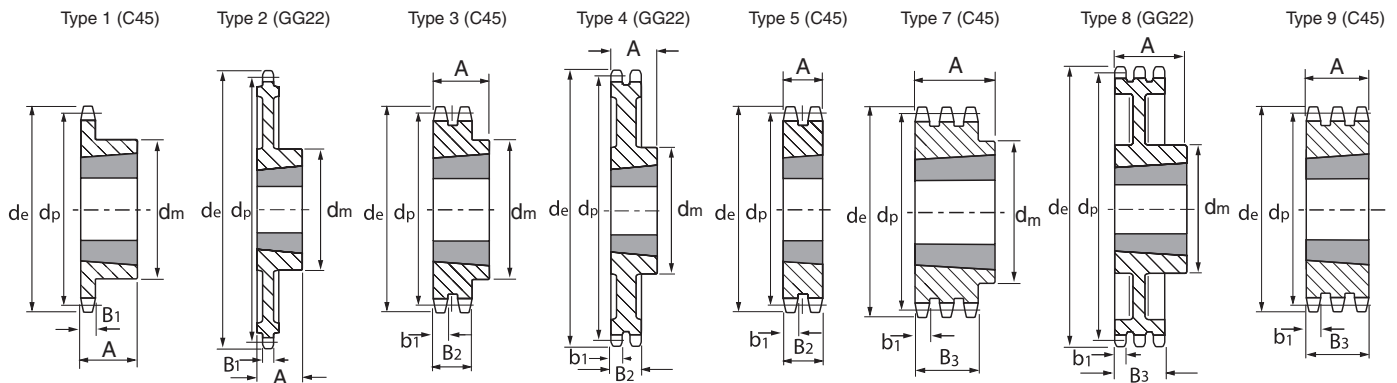
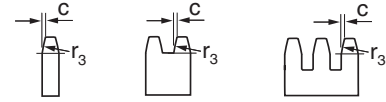
Every effort has been taken to ensure that the data listed in this catalogue is correct. Challenge accepts no liability for any inaccuracies or damage caused. All dimensions in millimetres unless otherwise stated.

Taper Bore Sprockets

BS Taper Bore Sprockets

10B 5/8" x 3/8"

SPROCKET	mm	CHAIN	mm
Tooth Radius r_3	16.0	Pitch	15.875
Chamfer c	1.6	Width Between Inner Plates	9.650
Tooth Width b_1	9.0	Roller Diameter	10.160
Tooth Width B_1	9.1		
Tooth Width B_2	25.5		
Tooth Width B_3	42.1		



Teeth	Outer Dia d_e	Pitch Dia d_p	Simplex					Duplex					Triplex					
			Ref	Hub Dia d_m	Length thro' Bore A	Taper Bush	Type	Ref	Hub Dia d_m	Length thro' Bore A	Taper Bush	Type	Ref	Hub Dia d_m	Length thro' Bore A	Taper Bush	Type	
13	73.0	66.32	51-13	47	22	1008	1											
14	78.0	71.34	51-14	52	22	1108	1											
15	83.0	76.36	51-15	60	25	1210	1	52-15	-	25.5	1210	5	53-15	-	42.1	1210	9	
16	88.0	81.37	51-16	70	25	1610	1	52-16	-	25.5	1610	5						
17	93.0	86.36	51-17	71	25	1610	1	52-17	-	25.5	1610	5	53-17	-	42.1	1210	9	
18	98.3	91.42	51-18	75	25	1610	1	52-18	-	25.5	1610	5						
19	103.3	96.45	51-19	75	25	1610	1	52-19	-	25.5	1610	5	53-19	-	42.1	1615	9	
20	108.4	101.49	51-20	75	25	1610	1	52-20	-	25.5	1610	5						
21	113.4	106.52	51-21	76	25	1610	1	52-21	-	25.5	1610	5	53-21	-	42.1	1615	9	
22	118.0	111.55	51-22	76	25	1610	1	52-22	-	25.5	1610	5						
23	123.4	116.58	51-23	76	25	1610	1	52-23	-	25.5	1610	5	53-23	-	42.1	2012	9	
24	128.3	121.62	51-24	90	25	1610	1	52-24	90	32	2012	3						
25	134.0	126.66	51-25	90	32	2012	1	52-25	90	32	2012	3	53-25	105	45	2517	7	
26	139.0	131.70	51-26	90	32	2012	1	52-26	90	32	2012	3						
27	144.0	136.75	51-27	90	32	2012	1	52-27	90	32	2012	3	53-27	110	45	2517	7	
28	148.7	141.78	51-28	90	32	2012	1	52-28	90	32	2012	3						
30	158.8	151.87	51-30	90	32	2012	1	52-30	90	32	2012	3	53-30	120	45	2517	7	
38	199.2	192.24	51-38	100	32	2012	1	52-38	110	45	2517	3	53-38	110	45	2517	7	
45	235.0	227.58	51-45	100	32	2012	2	52-45	110	45	2517	4	53-45	110	45	2517	8	
57	296.0	288.18	51-57	100	32	2012	2	52-57	110	45	2517	4	53-57	110	45	2517	8	
76	392.1	384.16	51-76	100	32	2012	2	52-76	110	45	2517	4	53-76	110	45	2517	8	
95	488.5	480.14	51-95	110	45	2517	2	52-95	110	45	2517	4						
114	584.1	576.13	51-114	110	45	2517	2	52-114	110	45	2517	4						

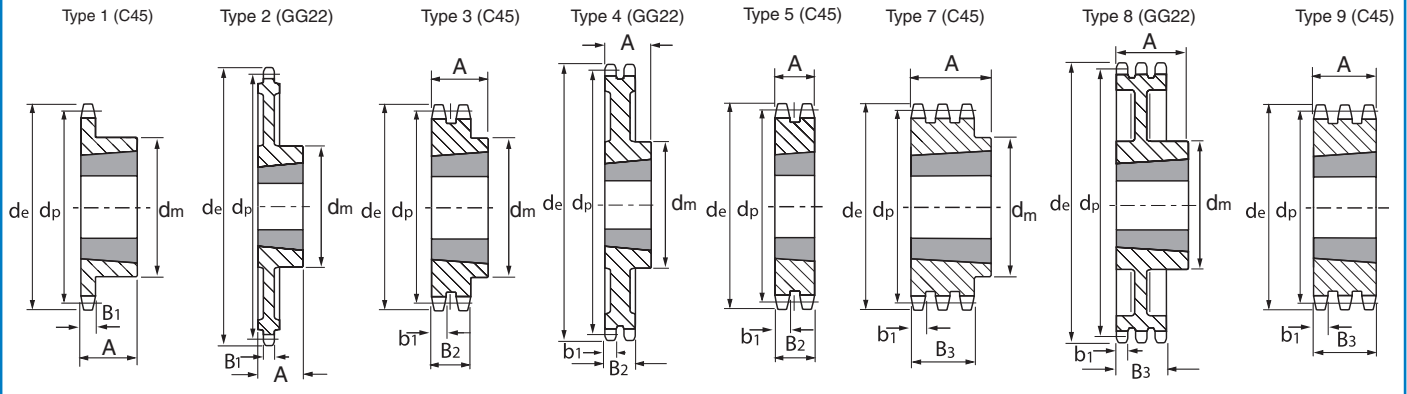
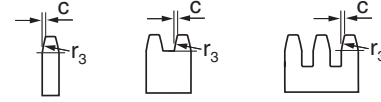
All dimensions in millimetres unless otherwise stated. Every effort has been taken to ensure that the data listed in this catalogue is correct. Challenge accepts no liability for any inaccuracies or damage caused.

Taper Bore Sprockets

BS Taper Bore Sprockets

12B 3/4" x 7/16"

SPROCKET	mm	CHAIN	mm
Tooth Radius r_3	19.0	Pitch	19.050
Chamfer c	2.0	Width Between Inner Plates	11.680
Tooth Width b_1	10.8	Roller Diameter	12.070
Tooth Width B_1	11.1		
Tooth Width B_2	30.3		
Tooth Width B_3	49.8		



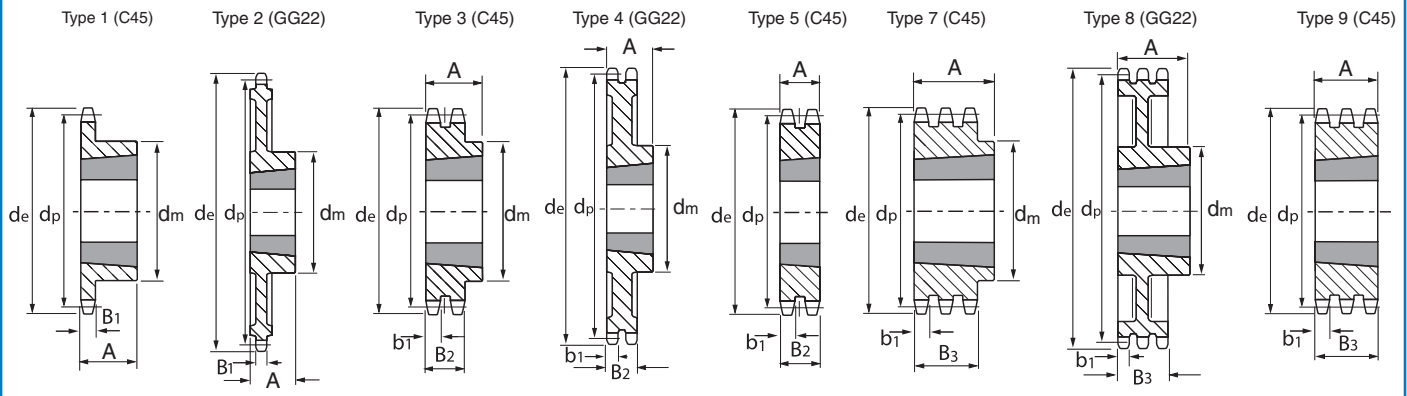
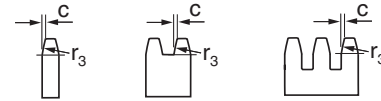
Teeth	Outer Dia d_e	Pitch Dia d_p	Simplex					Duplex					Triplex					
			Ref	Hub Dia d_m	Length thro' Bore	Taper	Type	Ref	Hub Dia d_m	Length thro' Bore	Taper	Type	Ref	Hub Dia d_m	Length thro' Bore	Taper	Type	
13	87.5	79.59	61-13	60	25	1210	1											
14	93.6	85.61	61-14	70	25	1610	1											
15	99.8	91.63	61-15	70	25	1610	1	62-15	-	30.3	1610	5	63-15	-	49.8	1615	9	
16	105.5	97.65	61-16	75	25	1610	1	62-16	-	30.3	1610	5						
17	111.5	103.67	61-17	76	25	1610	1	62-17	-	30.3	1610	5	63-17	-	49.8	1615	9	
18	118.0	109.71	61-18	90	32	2012	1	62-18	90	32	2012	3						
19	124.2	115.75	61-19	90	32	2012	1	62-19	90	32	2012	3	63-19	-	49.8	2012	9	
20	129.7	121.78	61-20	90	32	2012	1	62-20	108	45	2517	3						
21	136.0	127.82	61-21	102	45	2517	1	62-21	108	45	2517	3	63-21	-	49.8	2517	9	
22	141.8	133.86	61-22	102	45	2517	1	62-22	108	45	2517	3						
23	149.0	139.90	61-23	108	45	2517	1	62-23	108	45	2517	3	63-23	-	49.8	2517	9	
24	153.9	145.94	61-24	108	45	2517	1	62-24	108	45	2517	3						
25	160.0	152.00	61-25	108	45	2517	1	62-25	108	45	2517	3	63-25	-	49.8	2517	9	
26	165.9	158.04	61-26	108	45	2517	1	62-26	108	45	2517	3						
27	172.3	164.00	61-27	108	45	2517	1	62-27	108	45	2517	3	63-27	140	51	3020	7	
28	178.0	170.13	61-28	108	45	2517	1	62-28	108	45	2517	3						
30	190.5	182.25	61-30	108	45	2517	1	62-30	108	45	2517	3	63-30	140	51	3020	7	
38	239.0	230.69	61-38	108	45	2517	1	62-38	140	51	3020	3	63-38	140	51	3020	7	
30	190.5	182.25	61-30	108	45	2517	2											
38	239.0	230.69	61-38	110	45	2517	2	62-38	140	51	3020	4	63-38	140	51	3020	8	
45	282.5	273.10	61-45	108	45	2517	2	62-45	140	51	3020	4	63-45	140	51	3020	8	
57	355.4	345.81	61-57	108	45	2517	2	62-57	140	51	3020	4	63-57	140	51	3020	8	
76	469.9	460.99	61-76	108	45	2517	2	62-76	140	51	3020	4	63-76	140	51	3020	8	
95	585.1	576.17	61-95	108	45	2517	2	62-95	140	51	3020	4	63-95	140	76	3030	8	
114	700.6	691.36	61-114	140	51	3020	2	62-114	140	76	3030	4	63-114	165	89	3535	8	

Taper Bore Sprockets

BS Taper Bore Sprockets

16B 1" x 17.02 mm

SPROCKET	mm	CHAIN	mm
Tooth Radius r_3	26.0	Pitch	25.400
Chamfer c	2.5	Width Between Inner Plates	17.020
Tooth Width b_1	15.8	Holler Diameter	15.880
Tooth Width B1	16.2		
Tooth Width B2	47.7		
Tooth Width B3	79.6		



Teeth	Outer Dia d_e	Pitch Dia d_p	Simplex					Duplex					Triplex					
			Ref	Hub Dia d_m	Length thro' Bore	Taper	Type	Ref	Hub Dia d_m	Length thro' Bore	Taper	Type	Ref	Hub Dia d_m	Length thro' Bore	Taper	Type	
13	117.0	106.12	81-13	73	38	1615	1											
14	125.0	114.15	81-14	76	38	1615	1											
15	133.0	122.17	81-15	76	38	1615	1	82-15	-	47.7	2012	5						
16	141.0	130.20	81-16	90	32	2012	1	82-16	-	47.7	2517	5						
17	149.0	138.22	81-17	90	32	2012	1	82-17	-	47.7	2517	5	83-17	-	79.6	2517	9	
18	157.0	146.28	81-18	108	45	2517	1	82-18	-	47.7	2517	5						
19	165.2	154.33	81-19	108	45	2517	1	82-19	-	47.7	2517	5	83-19	-	79.6	3030	9	
20	173.2	162.38	81-20	108	45	2517	1	82-20	-	47.7	2517	5						
21	181.2	170.43	81-21	110	45	2517	1	82-21	140	51	3020	3	83-21	-	79.6	3030	9	
22	189.3	178.48	81-22	110	45	2517	1	82-22	140	51	3020	3						
23	197.5	186.53	81-23	110	45	2517	1	82-23	140	51	3020	3	83-23	159.0	89	3535	7	
24	205.5	194.59	81-24	110	45	2517	1	82-24	140	51	3020	3						
25	213.5	202.66	81-25	110	45	2517	1	82-25	140	51	3020	3	83-25	175.0	89	3535	7	
26	221.6	210.72	81-26	110	45	2517	1	82-26	140	51	3020	3						
27	229.6	218.79	81-27	110	45	2517	1	82-27	140	51	3020	3	83-27	175.0	89	3535	7	
28	237.7	226.85	81-28	110	45	2517	1	82-28	140	51	3020	3						
30	254.0	243.00	81-30	140	51	3020	1	82-30	140	76	3030	3	83-30	175.0	89	3535	7	
38	320.7	307.59	81-38	140	51	3020	2	82-38	140	76	3030	4	83-38	175.0	89	3535	8	
45	377.1	364.13	81-45	140	51	3020	2	82-45	140	76	3030	4	83-45	215.0	102	4040	8	
57	474.0	461.07	81-57	140	51	3020	2	82-57	175	89	3535	4	83-57	215.0	102	4040	8	
76	627.0	614.65	81-76	140	51	3020	2	82-76	175	89	3535	4	83-76	215.0	102	4040	8	
95	781.1	768.22	81-95	140	51	3020	2	82-95	215	102	4040	4						

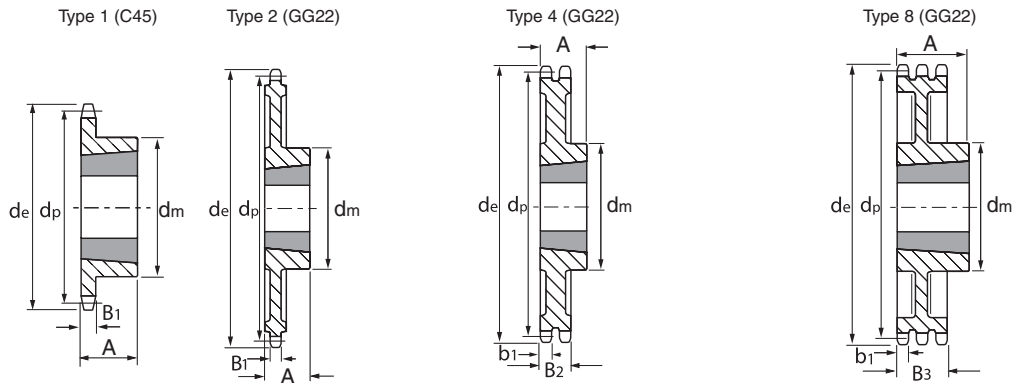
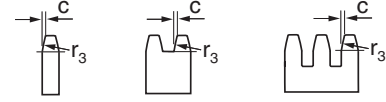
All dimensions in millimetres unless otherwise stated. Every effort has been taken to ensure that the data listed in this catalogue is correct. Challenge accepts no liability for any inaccuracies or damage caused.

Taper Bore Sprockets

BS Taper Bore Sprockets

20B 1.1/4" x 3/4"

SPROCKET	mm	CHAIN	mm
Tooth Radius r_3	32.0	Pitch	31.750
Chamfer c	3.5	Width Between Inner Plates	19.560
Tooth Width b_1	18.2	Roller Diameter	19.050
Tooth Width B_1	18.5		
Tooth Width B_2	54.6		
Tooth Width B_3	91.0		



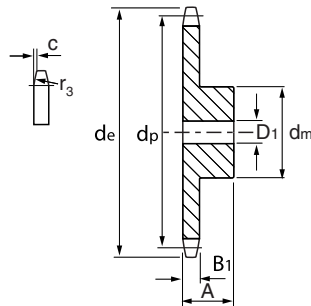
Teeth	Outer Dia d_e	Pitch Dia d_p	Simplex					Duplex					Triplex					
			Ref	Hub Dia d_m	Length thro' Bore A	Taper Bush	Type	Ref	Hub Dia d_m	Length thro' Bore A	Taper Bush	Type	Ref	Hub Dia d_m	Length thro' Bore A	Taper Bush	Type	
13	147.8	132.65	101-13	90	32	2012	1											
14	157.8	142.68	101-14	108	44	2517	1											
15	167.9	152.72	101-15	108	44	2517	1											
16	177.9	162.75	101-16	108	44	2517	1											
17	187.9	172.78	101-17	108	44	2517	1											
18	198.0	182.85	101-18	108	44	2517	1											
19	208.1	192.91	101-19	110	44	2517	1											
20	218.1	202.98	101-20	110	44	2517	1											
21	228.2	213.04	101-21	110	44	2517	1											
22	238.3	223.11	101-22	110	44	2517	1											
23	248.3	233.17	101-23	110	44	2517	1											
24	258.4	243.23	101-24	110	44	2517	1											
25	268.5	253.33	101-25	110	44	2517	1											
26	278.6	263.40	101-26	150	51	3020	1											
27	288.6	273.80	101-27	150	51	3020	1											
28	298.7	283.56	101-28	150	51	3020	1											
30	318.9	303.75	101-30	150	51	3020	1											
38	399.6	384.49	101-38	160	51	3020	2	102-38	140	54.6	3020	4	103-38	140	91	3030	8	
45	470.3	455.17	101-45	160	51	3020	2	102-45	140	54.6	3020	4	103-45	165	91	3535	8	
57	591.5	576.36	101-57	160	51	3020	2	102-57	165	89	3535	4	103-57	165	91	3535	8	
76	783.5	768.32	101-76	160	51	3020	2	102-76	175	89	3535	4	103-76	165	91	3535	8	

Pilot Bore Sprockets

BS Pilot Bore Sprockets

03B 5 x 2.5 mm

SPROCKET	mm	CHAIN	mm
Tooth Radius r_3	5.0	Pitch	5.000
Chamfer c	0.6	Width Between Inner Plates	2.500
Tooth Width B_1	2.3	Roller Diameter	3.200



Type 1 (C45)

Teeth	Outer Dia d_e	Pitch Dia d_p	Hub Dia d_m	Simplex Length thro' Bore A	Stock Bore D_1	Type
8	15.2	13.06	7	10	4	1
9	16.8	14.62	8	10	5	1
10	18.3	16.18	9	10	5	1
11	19.9	17.75	11	10	6	1
12	21.5	19.32	12	10	6	1
13	23.0	20.89	14	10	6	1
14	24.6	22.47	15	10	6	1
15	26.2	24.04	16	10	6	1
16	27.8	25.63	18	13	8	1
17	29.4	27.20	18	13	8	1
18	30.9	28.79	18	13	8	1
19	32.5	30.38	18	13	8	1
20	34.1	31.96	18	13	8	1
21	35.7	33.54	20	13	8	1
22	37.3	35.13	20	13	8	1
23	38.9	36.72	20	13	8	1
24	40.5	38.30	20	13	8	1
25	42.0	39.89	20	13	8	1
26	43.6	41.48	25	15	8	1
27	45.2	43.07	25	15	8	1
28	46.8	44.65	25	15	8	1
29	48.4	46.25	25	15	8	1
30	50.0	47.83	25	15	8	1
31	51.6	49.42	30	15	8	1
32	53.2	51.01	30	15	8	1
33	54.8	52.60	30	15	8	1
34	56.3	54.19	30	15	8	1
35	57.9	55.78	30	15	8	1
36	59.5	57.37	30	15	8	1
37	61.1	58.96	30	15	8	1
38	62.7	60.54	30	15	8	1
39	64.3	62.13	30	15	8	1
40	65.9	63.73	30	15	8	1

Pilot Bore Sprockets

BS Pilot Bore Sprockets

04B 6 x 2.8 mm

SPROCKET	mm	CHAIN	mm
Tooth Radius r_3	6.0	Pitch	6.000
Chamfer c	0.7	Width Between Inner Plates	2.800
Tooth Width B1	2.6	Roller Diameter	4.000

Type 1 (C45)

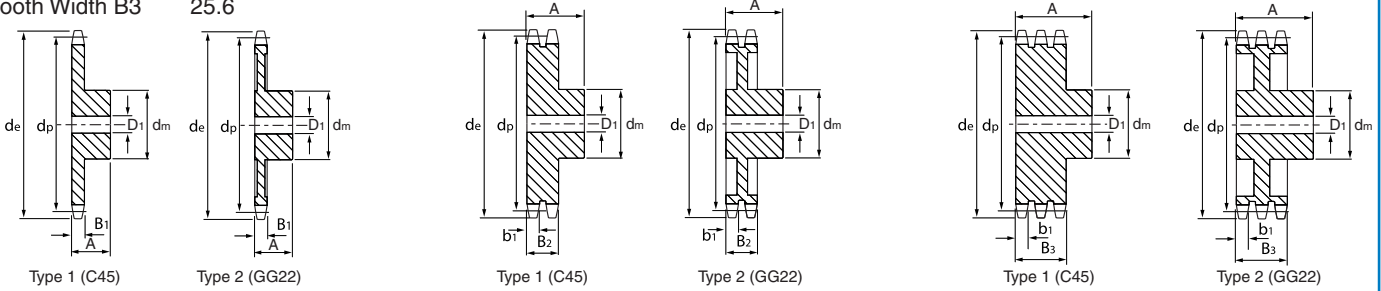
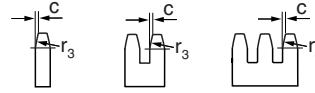
Teeth	Outer Dia d_e	Pitch Dia d_p	Hub Dia d_m	Simplex Length thro' Bore A	Stock Bore D_1	Type
8	18.0	15.67	9.8	10	5	1
9	19.9	17.54	11.5	10	5	1
10	21.7	19.42	13.0	10	6	1
11	23.6	21.30	14.0	10	6	1
12	25.4	23.18	16.0	10	6	1
13	27.3	25.05	18.0	10	6	1
14	29.2	26.96	20.0	10	6	1
15	31.1	28.86	20.0	10	6	1
16	33.0	30.76	20.0	13	8	1
17	35.0	32.65	20.0	13	8	1
18	36.9	34.55	20.0	13	8	1
19	38.8	36.44	20.0	13	8	1
20	40.7	38.34	20.0	13	8	1
21	42.6	40.25	25.0	13	8	1
22	44.5	42.16	25.0	13	8	1
23	46.4	44.06	25.0	13	8	1
24	48.3	45.96	25.0	13	8	1
25	50.2	47.87	25.0	13	8	1
26	52.1	49.77	30.0	15	8	1
27	54.0	51.67	30.0	15	8	1
28	55.9	53.58	30.0	15	8	1
29	57.8	55.50	30.0	15	8	1
30	59.8	57.42	30.0	15	8	1
31	61.7	59.31	30.0	15	10	1
32	63.6	61.21	30.0	15	10	1
33	65.5	63.11	30.0	15	10	1
34	67.4	65.02	30.0	15	10	1
35	69.3	66.93	30.0	15	10	1
36	71.2	68.84	30.0	15	10	1
37	73.1	70.75	30.0	15	10	1
38	75.0	72.66	30.0	15	10	1
39	76.9	74.56	30.0	15	10	1
40	78.9	76.47	30.0	15	10	1
45	88.5	86.01	40.0	18	12	1
50	98.0	95.55	50.0	20	12	1
57	111.4	108.93	50.0	20	12	1

Pilot Bore Sprockets

BS Pilot Bore Sprockets

06B 3/8" x 7/32"

SPROCKET		CHAIN	
	mm		mm
Tooth Radius r_3	10.0	Pitch	9.525
Chamfer c	1.0	Width Between Inner Plates	5.720
Tooth Width b_1	5.2	Roller Diameter	6.350
Tooth Width B_1	5.3		
Tooth Width B_2	15.4		
Tooth Width B_3	25.6		



Teeth	Outer Dia d_e	Pitch Dia d_p	Simplex			Duplex			Triplex			Type
			Hub Dia d_m	Length thro' Bore A	Stock Bore D_1	Hub Dia d_m	Length thro' Bore A	Stock Bore D_1	Hub Dia d_m	Length thro' Bore A	Stock Bore D_1	
8	28.0	24.89	15	22	8	15	22	8	15	32	8	1
9	31.0	27.85	18	22	8	18	22	8	18	32	8	1
10	34.0	30.82	20	22	8	20	22	8	20	32	10	1
11	37.0	33.80	22	25	8	22	25	10	22	35	12	1
12	40.0	36.80	25	25	8	25	25	10	25	35	12	1
13	43.0	39.80	28	25	10	28	25	10	28	35	12	1
14	46.3	42.80	31	25	10	31	25	10	31	35	12	1
15	49.3	45.81	34	25	10	34	25	10	34	35	12	1
16	52.3	48.82	37	28	10	37	30	12	37	35	12	1
17	55.3	51.83	40	28	10	40	30	12	40	35	12	1
18	58.3	54.85	43	28	10	43	30	12	43	35	12	1
19	61.3	57.87	45	28	10	46	30	12	46	35	12	1
20	64.3	60.89	46	28	10	49	30	12	49	35	12	1
21	68.0	63.91	48	28	12	52	30	16	52	40	16	1
22	71.0	66.93	50	28	12	55	30	16	55	40	16	1
23	73.5	69.95	52	28	12	58	30	16	58	40	16	1
24	77.0	72.97	54	28	12	61	30	16	61	40	16	1
25	80.0	76.00	57	28	12	64	30	16	64	40	16	1
26	83.0	79.02	60	28	12	67	30	16	67	40	16	1
27	86.0	82.04	60	28	12	70	30	16	70	40	16	1
28	89.0	85.07	60	28	12	73	30	16	73	40	16	1
29	92.0	88.09	60	28	12	76	30	16	76	40	16	1
30	94.7	91.12	60	28	12	79	30	16	79	40	16	1
31	98.3	94.15	65	30	14	80	30	16	80	40	16	1
32	101.3	97.17	65	30	14	80	30	16	80	40	16	1
33	104.3	100.20	65	30	14	80	30	16	80	40	16	1
34	107.3	103.23	65	30	14	80	30	16	85	40	16	1
35	110.4	106.26	65	30	14	80	30	16	85	40	16	1
36	113.4	109.29	70	30	14	90	30	16	90	40	16	1
37	116.4	112.32	70	30	14	90	30	16	90	40	16	1
38	119.5	115.34	70	30	14	90	30	16	90	40	16	1
39	122.5	118.37	70	30	14	90	30	16	90	40	16	1
40	125.5	121.40	70	30	14	90	30	16	90	40	16	1
38	119.5	115.34	70	32	20	80	40	20	90	56	24	2
45	140.7	136.54	70	32	20	80	40	20	90	56	24	2
57	176.9	172.91	70	32	20	80	40	20	90	56	24	2
76	234.9	230.49	70	32	20	80	40	20	100	56	24	2
95	292.5	288.08	80	40	20	90	45	20	100	56	24	2
114	349.6	345.68	80	40	20	95	45	20	100	56	24	2

Every effort has been taken to ensure that the data listed in this catalogue is correct. Challenge accepts no liability for any inaccuracies or damage caused. All dimensions in millimetres unless otherwise stated.

Pilot Bore Sprockets

BS Pilot Bore Sprockets

081 **1/2" x 1/8"**

SPROCKET		mm	CHAIN		mm
Tooth Radius r_3	13.0		Pitch		12.700
Chamfer c	1.0		Width Between Inner Plates		3.300
Tooth Width B1	3.0		Roller Diameter		7.750

Type 1 (C45)

Teeth	Outer Dia de	Pitch Dia dp	Simplex			Type
			Hub Dia dm	Length thro' Bore A	Stock Bore D1	
8	37.2	33.18	21	14	8	1
9	41.5	37.13	25	14	8	1
10	46.2	41.10	28	14	8	1
11	49.6	45.07	31	16	8	1
12	53.9	49.07	35	16	8	1
13	58.4	53.06	39	16	8	1
14	62.8	57.07	43	16	8	1
15	66.8	61.09	47	16	8	1
16	70.9	65.10	50	18	10	1
17	74.9	69.11	50	18	10	1
18	78.9	73.14	50	18	10	1
19	82.9	77.16	50	18	10	1
20	86.9	81.19	50	18	10	1
21	91.0	85.22	60	20	12	1
22	95.0	89.24	60	20	12	1
23	99.0	93.27	60	20	12	1
24	103.0	97.29	60	20	12	1
25	107.1	101.33	60	20	12	1
26	111.2	105.36	70	20	16	1
27	115.4	109.40	70	20	16	1
28	119.4	113.42	70	20	16	1
29	123.4	117.46	70	20	16	1
30	127.5	121.50	70	20	16	1
31	131.5	125.54	70	20	16	1
32	135.5	129.56	70	20	16	1
33	139.6	133.60	70	20	16	1
34	143.6	137.64	70	20	16	1
35	147.6	141.68	70	20	16	1
36	151.7	145.72	70	25	16	1
37	155.7	149.76	70	25	16	1
38	159.8	153.80	70	25	16	1
39	163.8	157.83	70	25	16	1
40	167.8	161.87	70	25	16	1

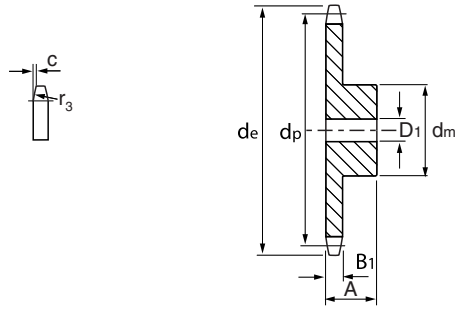
All dimensions in millimetres unless otherwise stated. Every effort has been taken to ensure that the data listed in this catalogue is correct. Challenge accepts no liability for any inaccuracies or damage caused.

Pilot Bore Sprockets

BS Pilot Bore Sprockets

083 / 084 1/2" x 3/16"

SPROCKET	mm	CHAIN	mm
Tooth Radius r_3	13.0	Pitch	12.700
Chamfer c	1.3	Width Between Inner Plates	4.880
Tooth Width B1	4.5	Roller Diameter	7.750



Type 1 (C45)

Teeth	Outer Dia de	Pitch Dia dp	Simplex			Type
			Hub Dia dm	Length thro' Bore A	Stock Bore D1	
8	38.5	33.18	21	14	8	1
9	41.5	37.13	25	14	8	1
10	46.2	41.10	28	14	8	1
11	49.6	45.07	31	16	8	1
12	53.9	49.07	35	16	8	1
13	58.4	53.06	39	16	8	1
14	62.8	57.07	43	16	8	1
15	66.8	61.09	47	16	8	1
16	70.9	65.10	50	18	10	1
17	74.9	69.10	50	18	10	1
18	78.9	73.14	50	18	10	1
19	82.9	77.16	50	18	10	1
20	86.9	81.19	50	18	10	1
21	91.0	85.22	60	20	12	1
22	95.0	89.24	60	20	12	1
23	99.0	93.27	60	20	12	1
24	103.0	97.29	60	20	12	1
25	107.1	101.33	60	20	12	1
26	111.2	105.36	70	20	16	1
27	115.4	109.40	70	20	16	1
28	119.4	113.42	70	20	16	1
29	123.4	117.46	70	20	16	1
30	127.5	121.50	70	20	16	1
31	131.5	125.54	70	20	16	1
32	135.5	129.56	70	20	16	1
33	139.6	133.60	70	20	16	1
34	143.6	137.64	70	20	16	1
35	147.6	141.68	70	20	16	1
36	151.7	145.72	70	25	16	1
37	155.7	149.76	70	25	16	1
38	159.8	153.80	70	25	16	1
39	163.8	157.83	70	25	16	1
40	167.8	161.87	70	25	16	1

Pilot Bore Sprockets

BS Pilot Bore Sprockets

085		1/2" x 1/4"	
SPROCKET	mm	CHAIN	mm
Tooth Radius r_3	13.0	Pitch	12.700
Chamfer c	1.3	Width Between Inner Plates	6.400
Tooth Width B_i	5.9	Roller Diameter	7.750

Type 1 (C45)

Teeth	Outer Dia d_e	Pitch Dia d_p	Hub Dia d_m	Simplex Length thro' Bore A	Stock Bore D_1	Type
8	38.5	33.18	20	25	10	1
9	41.5	37.13	24	25	10	1
10	46.2	41.10	26	25	10	1
11	49.6	45.07	29	25	10	1
12	53.9	49.07	33	28	10	1
13	58.4	53.06	37	28	10	1
14	62.8	57.07	41	28	10	1
15	66.8	61.09	45	28	10	1
16	70.9	65.10	50	28	12	1
17	74.9	69.11	52	28	12	1
18	78.9	73.14	56	28	12	1
19	82.9	77.16	60	28	12	1
20	86.9	81.19	64	28	12	1
21	91.0	85.22	68	28	14	1
22	95.0	89.24	70	28	14	1
23	99.0	93.27	70	28	14	1
24	103.0	97.29	70	28	14	1
25	107.1	101.33	70	28	14	1
26	111.2	105.36	70	30	16	1
27	115.4	109.40	70	30	16	1
28	119.4	113.42	70	30	16	1
29	123.4	117.46	80	30	16	1
30	127.5	121.50	80	30	16	1
31	131.5	125.54	90	30	16	1
32	135.5	129.56	90	30	16	1
33	139.6	133.60	90	30	16	1
34	143.6	137.64	90	30	16	1
35	147.6	141.68	90	30	16	1
36	151.7	145.72	90	35	16	1
37	155.7	149.76	90	35	16	1
38	159.8	153.80	90	35	16	1
39	163.8	157.83	90	35	16	1
40	167.8	161.87	90	35	16	1

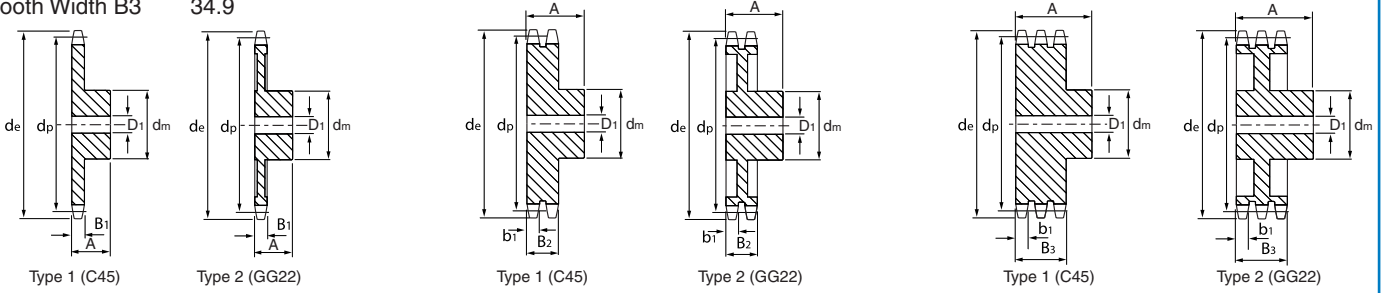
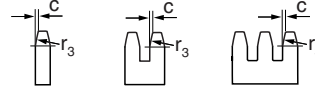
All dimensions in millimetres unless otherwise stated. Every effort has been taken to ensure that the data listed in this catalogue is correct. Challenge accepts no liability for any inaccuracies or damage caused.

Pilot Bore Sprockets

BS Pilot Bore Sprockets

08B 1/2" x 5/16"

SPROCKET		CHAIN	
	mm		mm
Tooth Radius r_3	13.0	Pitch	12.700
Chamfer c	1.3	Width Between Inner Plates	7.750
Tooth Width b_1	7.0	Roller Diameter	8.510
Tooth Width B_1	7.2		
Tooth Width B_2	21.0		
Tooth Width B_3	34.9		



Teeth	Outer Dia d_e	Pitch Dia d_p	Simplex			Duplex			Triplex			Type
			Hub Dia d_m	Length thro' Bore A	Stock Bore D_1	Hub Dia d_m	Length thro' Bore A	Stock Bore D_1	Hub Dia d_m	Length thro' Bore A	Stock Bore D_1	
8	37.2	33.18	20	25	10	20	32	10	20	46	10	1
9	41.0	37.13	24	25	10	24	32	10	24	46	12	1
10	45.2	41.10	26	25	10	28	32	10	28	46	12	1
11	48.7	45.07	29	25	10	32	35	12	32	50	16	1
12	53.0	49.07	33	28	10	35	35	12	35	50	16	1
13	57.4	53.06	37	28	10	38	35	12	38	50	16	1
14	61.8	57.07	41	28	10	42	35	12	42	50	16	1
15	65.5	61.09	45	28	10	46	35	12	46	50	16	1
16	69.5	65.10	50	28	12	50	38	14	50	50	16	1
17	73.6	69.11	52	28	12	54	38	14	54	50	16	1
18	77.8	73.14	56	28	12	58	38	14	58	50	16	1
19	81.7	77.16	60	28	12	62	38	14	62	50	16	1
20	85.8	81.19	64	28	12	66	38	14	66	50	16	1
21	89.7	85.22	68	28	14	70	40	16	70	55	20	1
22	93.8	89.24	70	28	14	70	40	16	70	55	20	1
23	98.2	93.27	70	28	14	70	40	16	70	55	20	1
24	101.8	97.29	70	28	14	75	40	16	75	55	20	1
25	105.8	101.33	70	28	14	80	40	16	80	55	20	1
26	110.0	105.36	70	30	16	85	40	20	85	55	20	1
27	114.0	109.40	70	30	16	85	40	20	85	55	20	1
28	118.0	113.42	70	30	16	90	40	20	90	55	20	1
29	122.0	117.46	80	30	16	95	40	20	95	55	20	1
30	126.1	121.50	80	30	16	100	40	20	100	55	20	1
31	130.2	125.54	90	30	16	100	40	20	110	55	20	1
32	134.3	129.56	90	30	16	100	40	20	110	55	20	1
33	138.4	133.60	90	30	16	100	40	20	110	55	20	1
34	142.6	137.64	90	30	16	100	40	20	110	55	20	1
35	146.7	141.68	90	30	16	100	40	20	110	55	20	1
36	151.0	145.72	90	35	20	100	40	20	120	55	25	1
37	154.6	149.76	90	35	20	100	40	20	120	55	25	1
38	158.6	153.80	90	35	20	100	40	20	120	55	25	1
39	162.7	157.83	90	35	20	100	40	20	120	55	25	1
40	166.8	161.87	90	35	20	100	40	20	120	55	25	1
38	158.6	153.80	70	40	24	90	50	24	100	60	24	2
45	188.0	182.07	70	40	24	90	50	24	100	60	24	2
57	236.4	230.54	70	40	24	90	50	24	100	60	24	2
76	313.3	307.33	80	40	24	100	56	24	100	60	24	2
95	390.1	384.11	80	45	24	100	56	24	120	67	24	2
114	466.9	460.90	80	45	25	100	63	25	120	67	25	2

Every effort has been taken to ensure that the data listed in this catalogue is correct. Challenge accepts no liability for any inaccuracies or damage caused. All dimensions in millimetres unless otherwise stated.

Pilot Bore Sprockets

BS Pilot Bore Sprockets

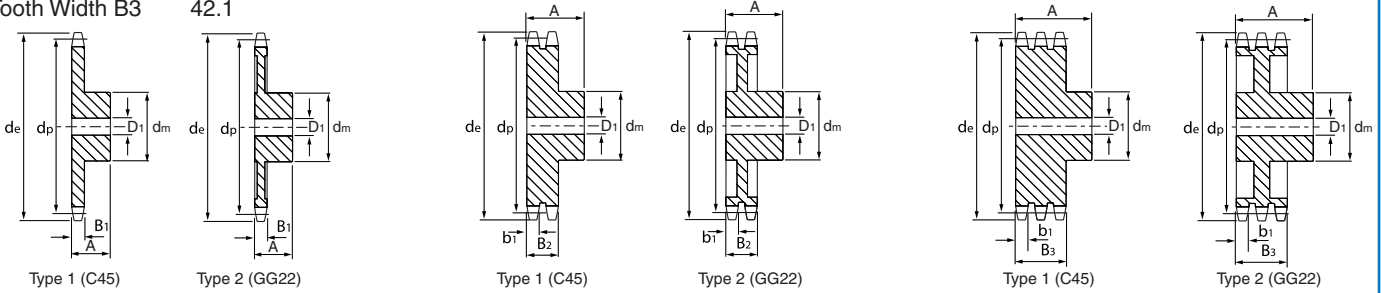
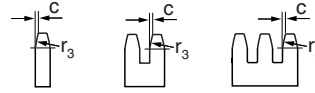
10B 5/8" x 3/8"

SPROCKET

Tooth Radius r_3	16.0
Chamfer c	1.6
Tooth Width b_1	9.0
Tooth Width B_1	9.1
Tooth Width B_2	25.5
Tooth Width B_3	42.1

CHAIN

Pitch	15.875
Width Between Inner Plates	9.650
Roller Diameter	10.160



Teeth	Outer Dia d_e	Pitch Dia d_p	Simplex			Duplex			Triplex			Type
			Hub Dia d_m	Length thro' Bore A	Stock Bore D_1	Hub Dia d_m	Length thro' Bore A	Stock Bore D_1	Hub Dia d_m	Length thro' Bore A	Stock Bore D_1	
8	47.0	41.48	25	25	10	25	40	12	25	55	12	1
9	52.6	46.42	30	25	10	30	40	12	30	55	12	1
10	57.5	51.37	35	25	10	35	40	12	35	55	16	1
11	63.0	56.34	37	30	12	39	40	14	39	55	16	1
12	68.0	61.34	42	30	12	44	40	14	44	55	16	1
13	73.0	66.32	47	30	12	49	40	14	49	55	16	1
14	78.0	71.34	52	30	12	54	40	14	54	55	16	1
15	83.0	76.36	57	30	12	59	40	14	59	55	16	1
16	88.0	81.37	60	30	14	64	45	16	64	60	16	1
17	93.0	86.39	60	30	14	69	45	16	69	60	16	1
18	98.3	91.42	70	30	14	74	45	16	74	60	16	1
19	103.3	96.45	70	30	14	79	45	16	79	60	16	1
20	108.4	101.49	75	30	14	84	45	16	84	60	16	1
21	113.4	106.52	75	30	16	85	45	16	85	60	20	1
22	118.0	111.55	80	30	16	90	45	16	90	60	20	1
23	123.4	116.58	80	30	16	95	45	16	95	60	20	1
24	128.3	121.62	80	30	16	100	45	16	100	60	20	1
25	134.0	126.66	80	30	16	105	45	16	105	60	20	1
26	139.0	131.70	85	35	20	110	45	20	110	60	20	1
27	144.0	136.75	85	35	20	110	45	20	110	60	20	1
28	148.7	141.78	90	35	20	115	45	20	115	60	20	1
29	153.8	146.83	90	35	20	115	45	20	115	60	20	1
30	158.8	151.87	90	35	20	120	45	20	120	60	20	1
31	163.9	156.92	95	35	20	120	45	20	120	60	20	1
32	168.9	161.95	95	35	20	120	45	20	120	60	20	1
33	174.5	167.00	95	35	20	120	45	20	120	60	20	1
34	179.0	172.05	95	35	20	120	45	20	120	60	20	1
35	184.1	177.10	95	35	20	120	45	20	120	60	20	1
36	189.1	182.15	100	35	20	120	45	20	120	60	25	1
37	194.2	187.20	100	35	20	120	45	20	120	60	25	1
38	199.2	192.24	100	35	20	120	45	20	120	60	25	1
39	204.2	197.29	100	35	20	120	45	20	120	60	25	1
40	209.3	202.34	100	35	20	120	45	20	120	60	25	1
38	199.2	192.24	80	40	24	100	50	30	100	60	32	2
45	235.0	227.58	80	40	24	100	50	30	100	60	32	2
57	296.0	288.18	90	45	24	100	56	30	100	63	32	2
76	392.1	384.16	90	50	24	100	63	30	110	67	35	2
95	488.5	480.14	100	56	24	110	63	30	125	70	35	2
114	584.1	576.13	100	56	25	125	70	30	125	80	35	2

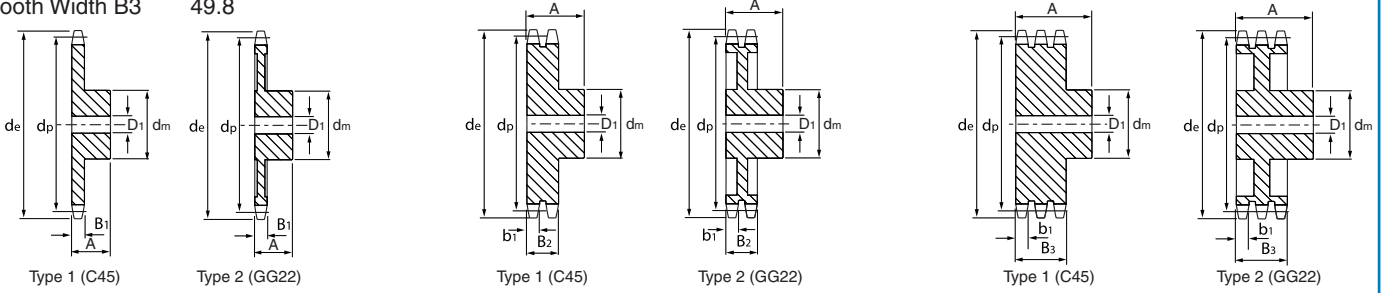
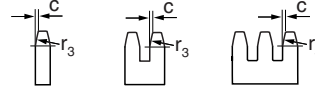
All dimensions in millimetres unless otherwise stated. Every effort has been taken to ensure that the data listed in this catalogue is correct. Challenge accepts no liability for any inaccuracies or damage caused.

Pilot Bore Sprockets

BS Pilot Bore Sprockets

12B 3/4" x 7/16"

SPROCKET		CHAIN	
	mm		mm
Tooth Radius r_3	19.0	Pitch	19.050
Chamfer c	2.0	Width Between Inner Plates	11.680
Tooth Width b_1	10.8	Roller Diameter	12.070
Tooth Width B_1	11.1		
Tooth Width B_2	30.3		
Tooth Width B_3	49.8		



Teeth	Outer Dia d_e	Pitch Dia d_p	Simplex			Duplex			Triplex			Type
			Hub Dia d_m	Length thro' Bore A	Stock Bore D_1	Hub Dia d_m	Length thro' Bore A	Stock Bore D_1	Hub Dia d_m	Length thro' Bore A	Stock Bore D_1	
8	57.6	49.78	31	30	12	31	45	12	31	65	16	1
9	62.0	55.70	37	30	12	37	45	12	37	65	16	1
10	69.0	61.64	42	30	12	42	45	12	42	65	16	1
11	75.0	67.61	46	35	14	47	50	16	47	70	20	1
12	81.5	73.60	52	35	14	53	50	16	53	70	20	1
13	87.5	79.59	58	35	14	59	50	16	59	70	20	1
14	93.6	85.61	64	35	14	65	50	16	65	70	20	1
15	99.8	91.63	70	35	14	71	50	16	71	70	20	1
16	105.5	97.65	75	35	16	77	50	20	77	70	20	1
17	111.5	103.67	80	35	16	83	50	20	83	70	20	1
18	118.0	109.71	80	35	16	89	50	20	89	70	20	1
19	124.2	115.75	80	35	16	95	50	20	95	70	20	1
20	129.7	121.78	80	35	16	100	50	20	100	70	20	1
21	136.0	127.82	90	40	20	100	50	20	100	70	20	1
22	141.8	133.86	90	40	20	100	50	20	100	70	20	1
23	149.0	139.90	90	40	20	110	50	20	110	70	20	1
24	153.9	145.94	90	40	20	110	50	20	110	70	20	1
25	160.0	152.00	90	40	20	120	50	20	120	70	20	1
26	165.9	158.04	95	40	20	120	50	20	120	70	20	1
27	172.3	164.09	95	40	20	120	50	20	120	70	20	1
28	178.0	170.13	95	40	20	120	50	20	120	70	20	1
29	184.1	176.19	95	40	20	120	50	20	120	70	20	1
30	190.5	182.25	95	40	20	120	50	20	120	70	20	1
31	196.3	188.31	100	40	20	120	50	20	130	70	25	1
32	203.3	194.35	100	40	20	120	50	20	130	70	25	1
33	209.3	200.40	100	40	20	120	50	20	130	70	25	1
34	214.6	206.46	100	40	20	120	50	20	130	70	25	1
35	221.0	212.52	100	40	20	120	50	20	130	70	25	1
36	226.8	218.58	100	40	25	120	50	25	130	70	25	1
37	232.9	224.64	100	40	25	120	50	25	130	70	25	1
38	239.0	230.69	100	40	25	120	50	25	130	70	25	1
39	245.1	236.75	100	40	25	120	50	25	130	70	25	1
40	251.3	242.81	100	40	25	120	50	25	130	70	25	1
38	239.0	230.69	100	56	24	110	63	30	140	70	30	2
45	282.5	273.10	100	56	24	110	63	30	140	70	30	2
57	355.4	345.81	100	56	30	120	63	30	140	70	40	2
76	469.9	460.99	100	56	30	135	63	30	160	75	40	2
95	585.1	576.17	100	65	30	135	70	30	170	82	40	2
114	700.6	691.36	100	65	30	135	70	30	170	82	40	2

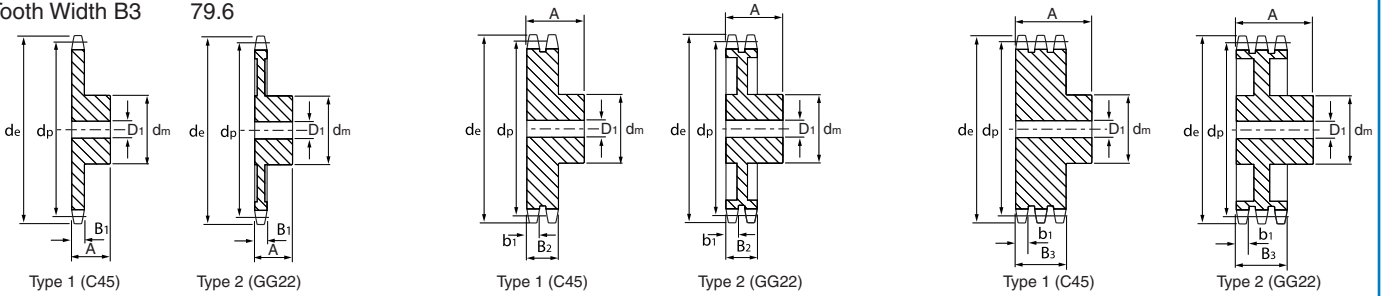
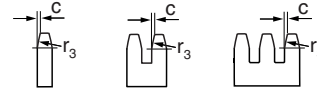
Every effort has been taken to ensure that the data listed in this catalogue is correct. Challenge accepts no liability for any inaccuracies or damage caused. All dimensions in millimetres unless otherwise stated.

Pilot Bore Sprockets

BS Pilot Bore Sprockets

16B 1" x 17.02 mm

SPROCKET		CHAIN	
	mm		mm
Tooth Radius r_3	26.0	Pitch	25.400
Chamfer c	2.5	Width Between Inner Plates	17.020
Tooth Width b_1	15.8	Roller Diameter	15.880
Tooth Width B_1	16.2		
Tooth Width B_2	47.7		
Tooth Width B_3	79.6		



Teeth	Outer Dia d_e	Pitch Dia d_p	Simplex			Duplex			Triplex			Type
			Hub Dia d_m	Length thro' Bore A	Stock Bore D_1	Hub Dia d_m	Length thro' Bore A	Stock Bore D_1	Hub Dia d_m	Length thro' Bore A	Stock Bore D_1	
8	77.0	66.37	42	35	16	42	65	16	42	95	20	1
9	85.0	74.27	50	35	16	50	65	16	50	95	20	1
10	93.0	82.19	55	35	16	56	65	16	56	95	20	1
11	99.5	90.14	61	40	16	64	70	20	64	100	25	1
12	109.0	98.14	69	40	16	72	70	20	72	100	25	1
13	117.0	106.12	78	40	16	80	70	20	80	100	25	1
14	125.0	114.15	84	40	16	88	70	20	88	100	25	1
15	133.0	122.17	92	40	16	96	70	20	96	100	25	1
16	141.0	130.20	100	45	20	104	70	25	104	100	30	1
17	149.0	138.22	100	45	20	112	70	25	112	100	30	1
18	157.0	146.28	100	45	20	120	70	25	120	100	30	1
19	165.2	154.33	100	45	20	128	70	25	128	100	30	1
20	173.2	162.38	100	45	20	130	70	25	130	100	30	1
21	181.2	170.43	110	50	20	130	70	25	130	100	30	1
22	189.3	178.48	110	50	20	130	70	25	130	100	30	1
23	197.5	186.53	110	50	20	130	70	25	130	100	30	1
24	205.5	194.59	110	50	20	130	70	25	130	100	30	1
25	213.5	202.66	110	50	20	130	70	25	130	100	30	1
26	221.6	210.72	120	50	20	130	70	25	130	100	30	1
27	229.6	218.79	120	50	20	130	70	25	130	100	30	1
28	237.7	226.85	120	50	20	130	70	25	130	100	30	1
29	245.8	234.92	120	50	20	130	70	25	130	100	30	1
30	254.0	243.00	120	50	20	130	70	25	130	100	30	1
31	262.0	251.08	120	50	25	140	70	25	140	100	30	1
32	270.0	259.13	120	50	25	140	70	25	140	100	30	1
33	278.5	267.21	120	50	25	140	70	25	140	100	30	1
34	287.0	275.28	120	50	25	140	70	25	140	100	30	1
35	296.2	283.36	120	50	25	140	70	25	140	100	30	1
36	304.6	291.44	120	50	25	140	70	25	140	100	30	1
37	312.6	299.51	120	50	25	140	70	25	140	100	30	1
38	320.7	307.59	120	50	25	140	70	25	140	100	30	1
39	328.8	315.67	120	50	25	140	70	25	140	100	30	1
40	336.9	323.75	120	50	25	140	70	25	140	100	30	1
30	254.0	243.00	110	65	30	125	75	40	145	90	40	2
38	320.0	307.59	110	65	30	140	75	40	160	100	45	2
45	377.0	364.12	125	70	30	150	75	40	160	100	45	2
57	474.0	461.07	125	70	35	170	90	40	165	100	45	2
76	627.0	614.65	140	80	35	175	95	40	200	110	45	2
95	781.0	768.22	140	80	40	175	95	45	200	110	50	2

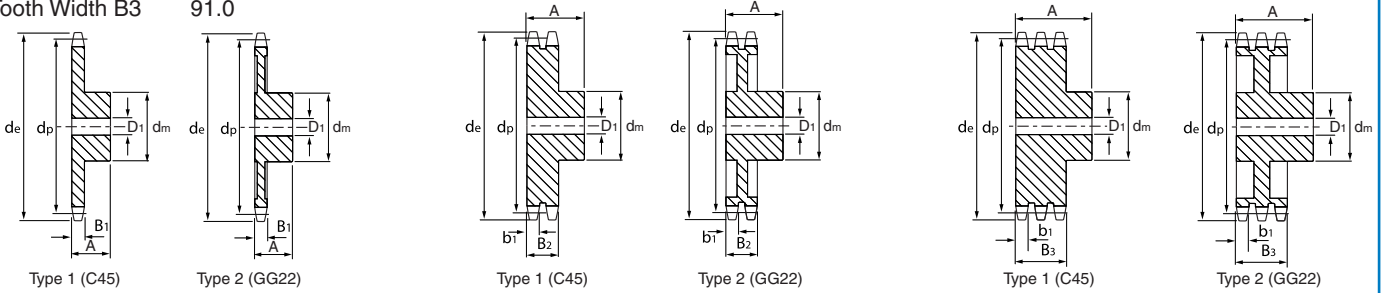
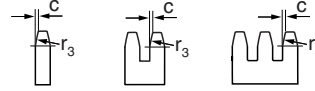
All dimensions in millimetres unless otherwise stated. Every effort has been taken to ensure that the data listed in this catalogue is correct. Challenge accepts no liability for any inaccuracies or damage caused.

Pilot Bore Sprockets

BS Pilot Bore Sprockets

20B 1.1/4" x 3/4"

SPROCKET		CHAIN	
	mm		mm
Tooth Radius r_3	32.0	Pitch	31.750
Chamfer c	3.5	Width Between Inner Plates	19.560
Tooth Width b_1	18.2	Roller Diameter	19.050
Tooth Width B_1	18.5		
Tooth Width B_2	54.6		
Tooth Width B_3	91.0		



Teeth	Outer Dia d_e	Pitch Dia d_p	Simplex			Duplex			Triplex			Type
			Hub Dia d_m	Length thro' Bore A	Stock Bore D_1	Hub Dia d_m	Length thro' Bore A	Stock Bore D_1	Hub Dia d_m	Length thro' Bore A	Stock Bore D_1	
8	98.1	82.96	53	40	20	53	75	20	53	110	25	1
9	108.0	92.84	63	40	20	63	75	20	63	110	25	1
10	117.9	102.74	70	40	20	70	75	20	70	110	25	1
11	127.8	112.68	77	45	20	80	80	25	80	115	30	1
12	137.8	122.68	88	45	20	90	80	25	90	115	30	1
13	147.8	132.65	98	45	20	100	80	25	100	115	30	1
14	157.8	142.68	108	45	20	110	80	25	110	115	30	1
15	167.9	152.72	118	45	20	120	80	25	120	115	30	1
16	177.9	162.75	120	50	25	120	80	30	120	115	30	1
17	187.9	172.78	120	50	25	120	80	30	120	115	30	1
18	198.0	182.85	120	50	25	120	80	30	120	115	30	1
19	208.1	192.91	120	50	25	120	80	30	120	115	30	1
20	218.1	202.98	120	50	25	120	80	30	120	115	30	1
21	228.2	213.04	140	55	30	140	80	30	140	115	30	1
22	238.3	223.11	140	55	30	140	80	30	140	115	30	1
23	248.3	233.17	140	55	30	140	80	30	140	115	30	1
24	258.4	243.23	140	55	30	140	80	30	140	115	30	1
25	268.5	253.33	140	55	30	140	80	30	140	115	30	1
26	278.6	263.40	150	55	30	150	80	30	150	115	30	1
27	288.6	273.80	150	55	30	150	80	30	150	115	30	1
28	298.7	283.56	150	55	30	150	80	30	150	115	30	1
29	308.8	293.65	150	55	30	150	80	30	150	115	30	1
30	318.9	303.75	150	55	30	150	80	30	150	115	30	1
31	329.0	313.85	150	55	30	150	80	30	150	115	30	1
32	339.1	323.91	150	55	30	150	80	30	150	115	30	1
33	349.2	334.01	150	55	30	150	80	30	150	115	30	1
34	359.3	344.10	150	55	30	150	80	30	150	115	30	1
35	369.4	354.20	150	55	30	150	80	30	150	115	30	1
36	379.5	364.30	150	55	30	150	80	30	150	115	30	1
37	389.5	374.39	150	55	30	150	80	30	150	115	30	1
38	399.6	384.49	150	55	30	150	80	30	150	115	30	1
39	409.7	394.59	150	55	30	150	80	30	150	115	30	1
40	419.8	404.66	150	55	30	150	80	30	150	115	30	1
30	318.9	303.75	115	70	35	130	80	40	160	100	50	2
38	399.6	384.49	125	70	35	140	90	45	180	110	56	2
45	470.3	455.17	125	70	35	140	90	45	180	110	56	2
57	591.5	576.36	135	80	40	160	100	50	180	125	63	2
76	783.5	768.32	140	90	50	180	100	56	200	140	63	2
95	976.9	960.28	-	-	-	180	100	60	220	140	70	2

Every effort has been taken to ensure that the data listed in this catalogue is correct. Challenge accepts no liability for any inaccuracies or damage caused. All dimensions in millimetres unless otherwise stated.

Pilot Bore Sprockets

BS Pilot Bore Sprockets

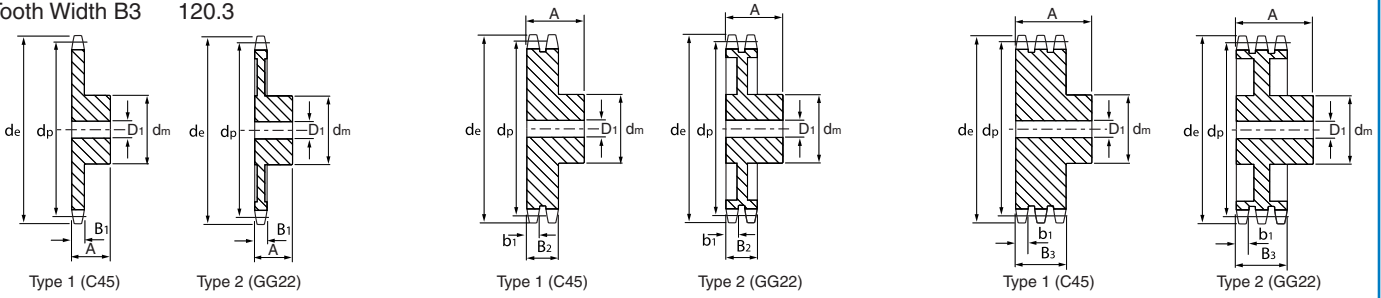
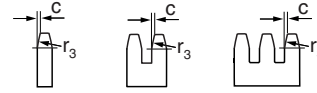
24B 1.1/2" x 1"

SPROCKET

Tooth Radius r_3	38.0
Chamfer c	4.0
Tooth Width b_1	23.6
Tooth Width B_1	24.1
Tooth Width B_2	72.0
Tooth Width B_3	120.3

CHAIN

Pitch	38.100
Width Between Inner Plates	25.400
Roller Diameter	25.400



Teeth	Outer Dia d_e	Pitch Dia d_p	Simplex			Duplex			Triplex			Type
			Hub Dia d_m	Length thro' Bore A	Stock Bore D1	Hub Dia d_m	Length thro' Bore A	Stock Bore D1	Hub Dia d_m	Length thro' Bore A	Stock Bore D1	
8	115.0	99.55	58	45	20	58	95	25	58	140	25	1
9	126.4	111.40	70	45	20	70	95	25	70	140	25	1
10	138.0	123.29	80	45	20	80	95	25	80	140	25	1
11	150.0	135.21	90	50	25	90	100	25	90	150	30	1
12	162.0	147.22	102	50	25	102	100	25	102	150	30	1
13	174.2	159.18	114	50	25	114	100	25	114	150	30	1
14	186.2	171.22	128	50	25	128	100	25	128	150	30	1
15	198.2	183.26	140	50	25	140	100	25	132	150	30	1
16	210.3	195.30	140	55	25	140	100	30	136	150	30	1
17	222.3	207.34	140	55	25	150	100	30	140	150	30	1
18	234.3	219.42	140	55	25	150	100	30	150	150	30	1
19	246.5	231.49	140	55	25	160	100	30	160	150	30	1
20	258.6	243.57	140	55	25	160	100	30	160	150	30	1
21	270.6	255.65	150	60	30	160	100	30	160	150	40	1
22	282.7	267.73	150	60	30	160	100	30	160	150	40	1
23	294.8	279.80	150	60	30	160	100	30	160	150	40	1
24	306.8	291.88	150	60	30	160	100	30	160	150	40	1
25	319.0	304.00	150	60	30	160	100	30	160	150	40	1
26	331.0	316.08	160	60	30	160	100	30	160	150	40	1
27	343.2	328.19	160	60	30	160	100	30	160	150	40	1
28	355.2	340.27	160	60	30	160	100	30	160	150	40	1
29	367.3	352.38	160	60	30	160	100	30	160	150	40	1
30	379.5	364.50	160	60	30	160	100	30	160	150	40	1
31	391.6	376.62	160	60	30	160	100	40	160	150	40	1
32	403.7	388.69	160	60	30	160	100	40	160	150	40	1
33	415.8	400.81	160	60	30	160	100	40	160	150	40	1
34	427.8	412.93	160	60	30	160	100	40	160	150	40	1
35	440.0	425.04	160	60	30	160	100	40	160	150	40	1
36	452.0	437.16	160	60	30	160	100	40	160	150	40	1
37	464.2	449.27	160	60	30	160	100	40	160	150	40	1
38	476.2	461.39	160	60	30	160	100	40	160	150	40	1
39	488.5	473.50	160	60	30	160	100	40	160	150	40	1
40	500.6	485.62	160	60	30	160	100	40	160	150	40	1
30	379.5	364.50	130	85	40	160	95	40	180	150	60	2
38	476.2	461.39	140	90	45	180	100	45	200	150	60	2
45	561.2	546.20	140	90	45	180	100	45	200	150	60	2
57	706.5	691.63	160	100	45	200	110	55	200	150	70	2
76	936.9	921.98	170	100	45	220	120	55	-	-	-	2
95	1167.3	1152.33	200	125	50	220	140	55	-	-	-	2
114	1402.8	1382.72	-	-	-	-	-	-	230	160	75	2

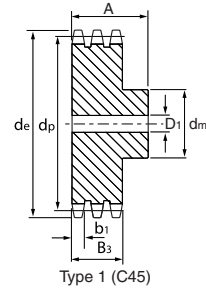
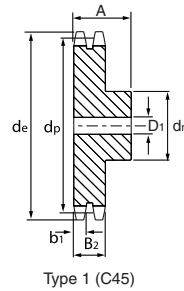
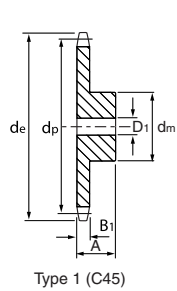
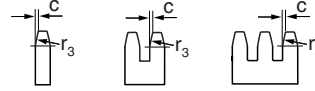
All dimensions in millimetres unless otherwise stated. Every effort has been taken to ensure that the data listed in this catalogue is correct. Challenge accepts no liability for any inaccuracies or damage caused.

Pilot Bore Sprockets

BS Pilot Bore Sprockets

28B 1.3/4" x 1.1/4"

SPROCKET		CHAIN	
	mm		mm
Tooth Radius r_3	44.0	Pitch	44.450
Chamfer c	5.0	Width Between Inner Plates	30.990
Tooth Width b_1	28.8	Roller Diameter	27.940
Tooth Width B_1	29.4		
Tooth Width B_2	88.4		
Tooth Width B_3	148.0		



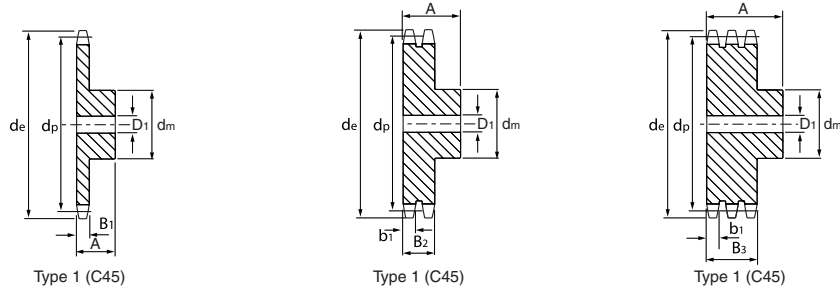
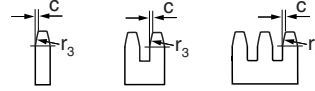
Teeth	Outer Dia d_e	Pitch Dia d_p	Simplex			Duplex			Triplex			Type
			Hub Dia d_m	Length thro' Bore A	Stock Bore D1	Hub Dia d_m	Length thro' Bore A	Stock Bore D1	Hub Dia d_m	Length thro' Bore A	Stock Bore D1	
8	132.0	116.15	74	70	25	74	120	30	74	180	30	1
9	148.4	129.96	88	70	25	88	120	30	88	180	30	1
10	162.3	143.85	100	70	25	100	120	30	100	180	30	1
11	176.3	157.77	112	70	25	112	120	30	112	180	30	1
12	189.3	171.74	125	70	25	125	120	30	125	180	30	1
13	204.2	185.75	125	70	25	125	120	30	125	180	30	1
14	218.2	199.76	130	70	25	130	120	30	130	180	30	1
15	232.3	213.79	145	70	25	145	120	30	145	180	30	1
16	246.3	227.84	160	75	30	160	120	30	160	180	30	1
17	260.0	241.90	160	75	30	160	120	30	160	180	30	1
18	274.0	255.98	160	75	30	160	120	30	160	180	30	1
19	289.0	270.06	160	75	30	180	120	30	180	180	30	1
20	303.0	284.15	160	75	30	180	120	30	180	180	30	1
21	317.0	298.24	170	75	30	180	120	30	180	180	40	1
22	331.0	312.34	170	75	30	180	120	30	180	180	40	1
23	345.0	326.44	170	75	30	180	120	30	180	180	40	1
24	359.0	340.55	170	75	30	180	120	30	180	180	40	1
25	373.0	354.66	170	75	30	180	120	30	180	180	40	1
26	387.0	368.77	170	75	30	180	120	40	180	180	40	1
27	401.0	382.88	170	75	30	180	120	40	180	180	40	1
28	416.0	397.00	170	75	30	180	120	40	180	180	40	1
29	430.0	411.12	170	75	30	180	120	40	180	180	40	1
30	444.0	425.24	170	75	30	180	120	40	180	180	40	1
31	458.0	439.37	180	75	30	200	120	40	200	180	40	1
32	472.0	453.49	180	75	30	200	120	40	200	180	40	1
33	486.0	467.62	180	75	30	200	120	40	200	180	40	1
34	500.0	481.75	180	75	30	200	120	40	200	180	40	1
35	514.0	495.88	180	75	30	200	120	40	200	180	40	1
36	529.0	510.01	180	75	30	200	120	40	200	180	40	1
37	543.0	524.13	180	75	30	200	120	40	200	180	40	1
38	557.0	538.27	180	75	30	200	120	40	200	180	40	1
39	571.0	552.40	180	75	30	200	120	40	200	180	40	1
40	585.0	566.54	180	75	30	200	120	40	200	180	40	1

Pilot Bore Sprockets

BS Pilot Bore Sprockets

32B 2" x 1.1/4"

SPROCKET		CHAIN	
	mm		mm
Tooth Radius r_3	51.0	Pitch	50.800
Chamfer c	6.0	Width Between Inner Plates	30.990
Tooth Width b_1	28.8	Roller Diameter	29.210
Tooth Width B_1	29.4		
Tooth Width B_2	87.4		
Tooth Width B_3	146.0		



Teeth	Outer Dia d_e	Pitch Dia d_p	Simplex			Duplex			Triplex			Type
			Hub Dia d_m	Length thro' Bore A	Stock Bore D_1	Hub Dia d_m	Length thro' Bore A	Stock Bore D_1	Hub Dia d_m	Length thro' Bore A	Stock Bore D_1	
8	153.2	132.74	85	80	30	85	120	30	85	180	30	1
9	169.0	148.54	100	80	30	100	120	30	100	180	30	1
10	185.0	164.39	115	80	30	115	120	30	115	180	30	1
11	200.8	180.31	125	80	30	125	120	35	125	180	35	1
12	216.8	196.29	133	80	30	133	120	35	133	180	35	1
13	232.8	212.29	145	80	30	145	120	35	145	180	35	1
14	248.8	228.29	155	80	30	155	120	35	155	180	35	1
15	264.8	244.30	160	80	30	160	120	35	160	180	35	1
16	280.9	260.40	160	90	30	160	120	40	160	180	40	1
17	296.9	276.46	170	90	30	180	120	40	180	180	40	1
18	313.0	292.55	170	90	30	180	120	40	180	180	40	1
19	329.1	308.66	170	90	30	200	120	40	200	180	40	1
20	345.2	324.71	180	90	30	200	120	40	200	180	40	1
21	361.3	340.82	180	90	40	200	120	40	200	180	40	1
22	377.5	356.98	180	90	40	200	120	40	200	180	40	1
23	393.6	373.08	180	90	40	200	120	40	200	180	40	1
24	409.7	389.18	180	90	40	200	120	40	200	180	40	1
25	425.8	405.33	180	90	40	200	120	40	200	180	40	1
26	441.9	421.44	180	90	40	200	120	40	200	180	40	1
27	458.1	437.59	180	90	40	200	120	40	200	180	40	1
28	474.2	453.69	180	90	40	200	120	40	200	180	40	1
29	492.0	469.85	180	90	40	-	-	-	-	-	-	1
30	506.5	486.00	180	90	40	200	120	40	200	180	40	1
32	538.8	518.27	180	90	40	-	-	-	-	-	-	1
35	589.5	566.71	180	90	40	-	-	-	-	-	-	1
38	635.5	615.16	180	90	40	-	-	-	-	-	-	1
40	670.3	647.47	180	90	40	-	-	-	-	-	-	1

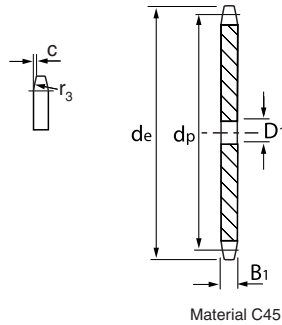
All dimensions in millimetres unless otherwise stated. Every effort has been taken to ensure that the data listed in this catalogue is correct. Challenge accepts no liability for any inaccuracies or damage caused.

Plate Wheels

BS Pilot Bore Plate Wheels

03B 5 x 2.5 mm

SPROCKET	mm	CHAIN	mm
Tooth Radius r_3	5.0	Pitch	5.000
Chamfer c	0.6	Width Between Inner Plates	2.500
Tooth Width B1	2.3	Roller Diameter	3.200



Teeth	Outer Dia de	Pitch Dia dp	Simplex Stock Bore D1
8	15.2	13.06	4
9	16.8	14.62	4
10	18.3	16.18	4
11	19.9	17.75	5
12	21.5	19.32	5
13	23.0	20.89	5
14	24.6	22.47	5
15	26.2	24.04	5
16	27.8	25.63	6
17	29.4	27.20	6
18	30.9	28.79	6
19	32.5	30.38	6
20	34.1	31.96	6
21	35.7	33.54	8
22	37.3	35.13	8
23	38.9	36.72	8
24	40.5	38.30	8
25	42.0	39.89	8
26	43.6	41.48	8
27	45.2	43.07	8
28	46.8	44.65	8
29	48.4	46.25	8
30	50.0	47.83	8
31	51.5	49.42	8
32	53.2	51.01	8
33	54.8	52.60	8
34	56.3	54.19	8
35	57.9	55.78	8
36	59.5	57.37	8
37	61.1	58.96	8
38	62.7	60.54	8
39	64.3	62.13	8
40	65.9	63.73	8
41	67.5	65.31	8
42	69.1	66.91	8
43	70.6	68.49	8

Teeth	Outer Dia de	Pitch Dia dp	Simplex Stock Bore D1
44	72.2	70.09	8
45	73.8	71.68	8
46	75.4	73.27	8
47	77.0	74.86	8
48	78.6	76.45	8
49	80.2	78.03	8
50	81.8	79.63	8
51	83.4	81.22	10
52	85.0	82.81	10
53	86.6	84.40	10
54	88.1	85.97	10
55	89.7	87.58	10
56	91.3	89.17	10
57	92.9	90.76	10
58	94.5	92.35	10
59	96.1	93.94	10
60	97.7	95.53	10
62	100.9	98.72	12
64	104.1	101.90	12
65	105.6	103.49	12
66	107.2	105.08	12
68	110.4	108.26	12
70	113.6	111.44	12
72	116.8	114.63	12
75	121.6	119.40	12
76	123.1	120.99	12
80	129.5	127.35	12
85	137.5	135.31	14
90	145.4	143.27	14
95	153.4	151.22	14
100	161.3	159.18	14
110	177.2	175.09	14
114	183.6	181.49	14
120	193.2	191.01	14
125	201.1	198.96	14

Plate Wheels

BS Pilot Bore Plate Wheels

04B		6 x 2.8 mm	
SPROCKET	mm	CHAIN	mm
Tooth Radius r_3	6.0	Pitch	6.000
Chamfer c	0.7	Width Between Inner Plates	2.800
Tooth Width B_1	2.6	Roller Diameter	4.000

Material C45

Teeth	Outer Dia d_e	Pitch Dia d_p	Simplex Stock Bore D_1
8	18.0	15.67	5
9	19.9	17.54	5
10	21.7	19.42	6
11	23.7	21.30	6
12	25.4	23.18	6
13	27.3	25.05	8
14	29.2	26.96	8
15	31.1	28.86	8
16	33.0	30.76	8
17	35.0	32.65	8
18	36.9	34.55	8
19	38.8	36.44	8
20	40.7	38.34	8
21	42.6	40.25	8
22	44.5	42.16	8
23	46.4	44.06	8
24	48.3	45.96	8
25	50.2	47.87	8
26	52.1	49.77	10
27	54.0	51.67	10
28	55.9	53.58	10
29	57.8	55.50	10
30	59.8	57.42	10
31	61.7	59.31	10
32	63.6	61.21	10
33	65.5	63.11	10
34	67.4	65.02	10
35	69.3	66.93	10
36	71.2	68.84	10
37	73.1	70.75	10
38	75.0	72.66	10
39	76.9	74.56	10
40	78.9	76.47	10
41	80.8	78.38	12
42	82.7	80.28	12
43	84.7	82.19	12

Teeth	Outer Dia d_e	Pitch Dia d_p	Simplex Stock Bore D_1
44	86.6	84.10	12
45	88.5	86.01	12
46	90.4	87.92	12
47	92.3	89.83	12
48	94.2	91.74	12
49	96.1	93.64	12
50	98.0	95.55	12
51	99.9	97.47	12
52	101.8	99.37	12
53	103.7	101.27	12
54	105.6	103.17	12
55	107.6	105.08	12
56	109.5	107.00	12
57	111.4	108.93	12
58	113.3	110.82	12
59	115.2	112.71	12
60	117.1	114.62	12
62	120.9	118.45	16
64	124.7	122.27	16
65	126.6	124.18	16
66	128.5	126.09	16
68	132.4	129.91	16
70	136.2	133.73	16
72	140.0	137.55	16
75	145.7	143.28	16
76	147.6	145.19	16
80	155.3	152.82	16
85	164.8	162.37	16
90	174.4	171.92	16
95	183.9	181.47	16
100	193.5	191.01	16
110	211.6	210.11	16
114	220.2	217.75	16
120	231.7	229.20	16
125	241.2	238.75	16

All dimensions in millimetres unless otherwise stated. Every effort has been taken to ensure that the data listed in this catalogue is correct. Challenge accepts no liability for any inaccuracies or damage caused.

Plate Wheels

BS Pilot Bore Plate Wheels

05B
8 x 3 mm

SPROCKET	mm	CHAIN	mm
Tooth Radius r_3	8.0	Pitch	8.000
Chamfer c	1.0	Width Between Inner Plates	3.000
Tooth Width b1	2.7	Roller Diameter	5.000
Tooth Width B1	2.8		
Tooth width B2	8.3		

Material C45

Teeth	Outer Dia de	Pitch Dia dp	Simplex	Duplex
			Stock Bore D1	Stock Bore D1
8	24.0	20.90	6	8
9	26.6	23.39	6	8
10	29.2	25.89	8	8
11	31.7	28.39	8	8
12	34.2	30.91	8	8
13	36.7	33.42	8	8
14	39.2	35.95	8	8
15	41.7	38.48	8	8
16	44.3	41.01	8	10
17	46.8	43.53	8	10
18	49.3	46.07	8	10
19	51.9	48.61	8	10
20	54.4	51.14	8	10
21	57.0	53.67	8	10
22	59.5	56.21	8	10
23	62.0	58.75	8	10
24	64.6	61.29	8	10
25	67.5	63.83	8	10
26	69.5	66.37	10	12
27	72.2	68.91	10	12
28	74.8	71.45	10	12
29	77.3	73.99	10	12
30	79.8	76.53	10	12
31	82.4	79.08	10	12
32	84.9	81.61	10	12
33	87.5	84.16	10	12
34	90.0	86.70	10	12
35	92.5	89.24	10	12
36	95.0	91.79	10	12
37	97.6	94.33	10	12
38	100.2	96.88	10	12
39	102.7	99.42	10	12
40	105.3	101.97	10	12
41	107.8	104.51	12	14
42	110.4	107.05	12	14
43	112.9	109.60	12	14

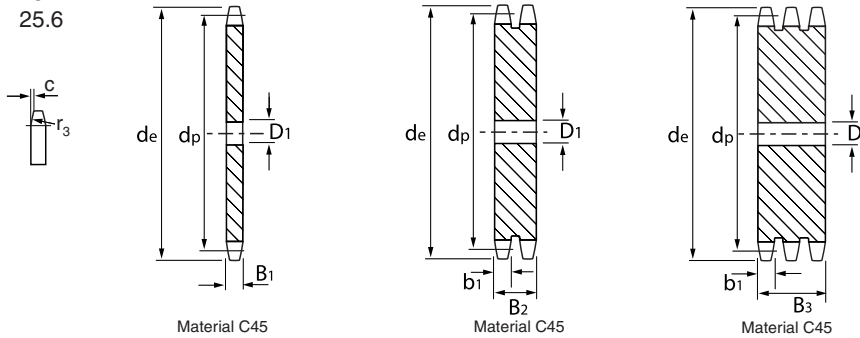
Teeth	Outer Dia de	Pitch Dia dp	Simplex	Duplex
			Stock Bore D1	Stock Bore D1
44	115.5	112.14	12	14
45	118.0	114.69	12	14
46	120.6	117.23	12	14
47	123.1	119.77	12	14
48	125.6	122.32	12	14
49	128.2	124.89	12	14
50	130.7	127.41	12	14
51	133.3	129.95	14	16
52	135.8	132.49	14	16
53	138.4	135.04	14	16
54	140.9	137.59	14	16
55	143.5	140.13	14	16
56	146.0	142.68	14	16
57	148.6	145.22	14	16
58	151.0	147.77	14	16
59	153.6	150.31	14	16
60	156.2	152.85	14	16
62	162.0	157.95	16	20
64	167.1	163.04	16	20
65	169.2	165.58	16	20
66	172.2	168.13	16	20
68	177.3	173.22	16	20
70	182.4	178.31	16	20
72	187.5	183.41	20	20
75	195.1	191.04	20	20
76	197.7	193.59	20	20
78	202.8	198.68	-	20
80	207.9	203.77	20	20
85	220.6	216.50	20	20
90	233.4	229.23	20	20
95	246.1	241.96	20	20
100	258.9	254.68	20	-
110	284.3	280.15	20	-
114	294.5	290.33	20	20
120	310.0	305.61	20	-
125	322.5	318.34	20	-

Plate Wheels

BS Pilot Bore Plate Wheels

06B 3/8" x 7/32"

SPROCKET		CHAIN	
	mm		mm
Tooth Radius r_3	10.0	Pitch	9.525
Chamfer c	1.0	Width Between Inner Plates	5.720
Tooth Width b_1	5.2	Roller Diameter	6.350
Tooth Width B_1	5.3		
Tooth Width B_2	15.4		
Tooth Width B_3	25.6		



Teeth	Outer Dia d_e	Pitch Dia d_p	Simplex	Duplex	Triplex
			Stock Bore D1	Stock Bore D1	Stock Bore D1
8	28.0	24.89	6	8	8
9	31.0	27.85	7	8	8
10	34.0	30.82	7	8	10
11	37.0	33.80	8	10	12
12	40.0	36.80	8	10	12
13	43.0	39.80	8	10	12
14	46.3	42.80	8	10	12
15	49.3	45.81	8	10	12
16	52.3	48.82	10	12	12
17	55.3	51.83	10	12	12
18	58.3	54.85	10	12	12
19	61.3	57.87	10	12	12
20	64.3	60.89	10	12	12
21	68.0	63.91	12	12	16
22	71.0	66.93	12	12	16
23	73.5	69.95	12	12	16
24	77.0	72.97	12	12	16
25	80.0	76.00	12	12	16
26	83.0	79.02	12	16	16
27	86.0	82.04	12	16	16
28	89.0	85.07	12	16	16
29	92.0	88.09	12	16	16
30	94.7	91.12	12	16	16
31	98.3	94.15	16	16	16
32	101.3	97.17	16	16	16
33	104.3	100.20	16	16	16
34	107.3	103.23	16	16	16
35	110.4	106.26	16	16	16
36	113.4	109.29	16	16	20
37	116.4	112.32	16	16	20
38	119.5	115.35	16	16	20
39	122.5	118.37	16	16	20
40	125.5	121.40	16	16	20
41	128.5	124.43	16	20	20
42	131.6	127.46	16	20	20
43	134.6	130.49	16	20	20

Teeth	Outer Dia d_e	Pitch Dia d_p	Simplex	Duplex	Triplex
			Stock Bore D1	Stock Bore D1	Stock Bore D1
44	137.6	133.52	16	20	20
45	140.7	136.54	16	20	20
46	143.7	139.58	20	20	20
47	146.7	142.61	20	20	20
48	149.7	145.64	20	20	20
49	152.7	148.66	20	20	20
50	155.7	151.69	20	20	20
51	158.7	154.72	20	20	20
52	161.8	157.75	20	20	20
53	164.8	160.78	20	20	20
54	167.8	163.82	20	20	20
55	170.8	166.85	20	20	20
56	173.8	169.88	20	20	25
57	176.9	172.91	20	20	25
58	179.9	175.93	20	20	25
59	183.0	178.96	20	20	25
60	186.0	181.99	20	20	25
62	192.1	188.06	20	25	25
64	198.2	194.12	20	25	25
65	201.6	197.15	20	25	25
66	204.6	200.18	20	25	25
68	210.7	206.24	20	25	25
70	216.7	212.30	20	25	25
72	222.8	218.37	20	25	25
75	231.9	227.46	20	25	25
76	234.9	230.49	20	25	25
78	241.0	236.55	-	25	25
80	247.1	242.61	20	25	25
85	262.2	257.77	25	25	25
90	277.4	272.93	25	25	25
95	292.5	288.08	25	25	25
100	307.7	303.25	25	25	25
110	338.0	333.55	25	25	25
114	349.5	345.68	25	25	25
120	368.3	363.86	25	25	25
125	383.5	379.02	25	25	25

All dimensions in millimetres unless otherwise stated. Every effort has been taken to ensure that the data listed in this catalogue is correct. Challenge accepts no liability for any inaccuracies or damage caused.

Plate Wheels

BS Pilot Bore Plate Wheels

081		1/2" x 1/8"	
SPROCKET	mm	CHAIN	mm
Tooth Radius r_3	13.0	Pitch	12.700
Chamfer c	1.3	Width Between Inner Plates	3.300
Tooth Width B_1	3.0	Roller Diameter	7.750

Material C45

Teeth	Outer Dia d_e	Pitch Dia d_p	Simplex Stock Bore D_1
8	37.2	33.18	8
9	41.5	37.13	8
10	46.2	41.10	8
11	49.6	45.07	8
12	53.9	49.07	8
13	58.4	53.06	8
14	62.8	57.07	8
15	66.8	61.09	8
16	70.9	65.10	10
17	74.9	69.11	10
18	78.9	73.14	10
19	82.9	77.16	10
20	86.9	81.19	10
21	91.0	85.22	10
22	95.0	89.24	10
23	99.0	93.27	10
24	103.0	97.29	10
25	107.1	101.33	10
26	111.2	105.36	12
27	115.4	109.40	12
28	119.4	113.42	12
29	123.4	117.46	12
30	127.5	121.50	12
31	131.5	125.54	12
32	135.5	129.56	12
33	139.6	133.60	12
34	143.6	137.64	12
35	147.6	141.68	12
36	151.7	145.72	16
37	155.7	149.76	16
38	159.8	153.80	16
39	163.8	157.83	16
40	167.8	161.87	16
41	171.4	165.91	16
42	175.4	169.95	16

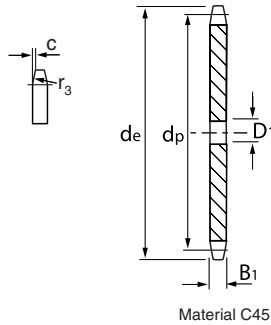
Teeth	Outer Dia d_e	Pitch Dia d_p	Simplex Stock Bore D_1
43	179.5	173.99	16
44	183.5	178.03	16
45	187.5	182.07	16
46	191.6	186.10	20
47	195.6	190.14	20
48	199.7	194.18	20
49	203.7	198.22	20
50	207.8	202.26	20
51	211.8	206.30	20
52	215.9	210.34	20
53	219.9	214.37	20
54	224.0	218.43	20
55	228.0	222.46	20
56	232.1	226.50	20
57	236.1	230.54	20
58	240.2	234.58	20
59	244.2	238.62	20
60	248.2	242.66	20
62	256.7	250.75	20
64	264.8	258.82	20
65	268.8	262.86	20
66	272.9	266.90	25
68	280.9	274.99	25
70	289.0	283.07	25
72	297.1	291.16	25
75	309.2	303.27	25
76	313.3	307.33	25
78	321.4	315.40	25
80	329.4	323.48	25
85	349.7	343.70	25
90	369.9	363.90	25
100	410.3	404.31	25
114	466.9	460.90	25
120	491.2	485.16	25
125	511.4	505.37	25

Plate Wheels

BS Pilot Bore Plate Wheels

083 / 084 1/2" x 3/16"

SPROCKET	mm	CHAIN	mm
Tooth Radius r_3	13.0	Pitch	12.700
Chamfer c	1.3	Width Between Inner Plates	4.880
Tooth Width BI	4.5	Roller Diameter	7.750



Teeth	Outer Dia de	Pitch Dia dp	Simplex Stock Bore D1
8	38.5	33.18	8
9	41.5	37.18	8
10	46.2	41.10	8
11	49.6	45.07	8
12	53.9	49.07	8
13	58.4	53.06	8
14	62.8	57.07	8
15	66.8	61.09	8
16	70.9	65.10	8
17	74.9	69.11	8
18	78.9	73.14	8
19	82.9	77.16	8
20	86.9	81.19	8
21	91.0	85.22	8
22	95.0	89.24	8
23	99.0	93.27	8
24	103.0	97.29	8
25	107.1	101.33	8
26	111.2	105.36	8
27	115.4	109.40	8
28	119.4	113.42	8
29	123.4	117.46	8
30	127.5	121.50	8
31	131.5	125.54	8
32	135.5	129.56	8
33	139.6	133.60	8
34	143.6	137.64	8
35	147.6	141.68	8
36	151.7	145.72	8
37	155.7	149.76	8
38	159.8	153.80	8
39	163.8	157.83	8
40	167.8	161.87	8
41	171.4	165.91	8
42	175.4	169.95	16

Teeth	Outer Dia de	Pitch Dia dp	Simplex Stock Bore D1
43	179.5	173.99	16
44	183.5	178.03	16
45	187.5	182.07	16
46	191.6	186.10	16
47	195.6	190.14	16
48	199.7	194.18	16
49	203.7	198.22	16
50	207.8	202.26	16
51	211.8	206.30	16
52	215.9	210.34	16
53	219.9	214.37	16
54	224.0	218.43	16
55	228.0	222.46	16
56	232.1	226.50	16
57	236.1	230.54	16
58	240.2	234.58	16
59	244.2	238.62	16
60	248.2	242.66	16
62	256.7	250.75	16
64	264.8	258.82	16
65	268.8	262.86	16
66	272.9	266.90	16
68	280.9	274.99	16
70	289.0	283.07	16
75	309.2	303.27	16
72	297.1	291.16	16
76	313.3	307.33	16
78	321.4	315.40	16
80	329.4	323.48	16
85	349.7	343.70	16
90	369.9	363.90	-
95	390.1	384.11	25
100	410.3	404.31	25
110	450.7	444.74	25
114	466.9	460.90	-
120	491.2	485.16	25
125	511.4	505.37	-

All dimensions in millimetres unless otherwise stated. Every effort has been taken to ensure that the data listed in this catalogue is correct. Challenge accepts no liability for any inaccuracies or damage caused.

Plate Wheels

BS Pilot Bore Plate Wheels

085	1/2" x 1/4"		
SPROCKET	mm	CHAIN	mm
Tooth Radius r3	13.0	Pitch	12.700
Chamfer c	1.3	Width Between Inner Plates	6.400
Tooth Width B1	5.9	Roller Diameter	7.750

Material C45

Teeth	Outer Dia de	Pitch Dia dp	Simplex Stock Bore D1
8	38.5	33.18	8
9	41.5	37.18	8
10	46.2	41.10	8
11	49.6	45.07	8
12	53.9	49.07	8
13	58.4	53.06	8
14	62.8	57.07	8
15	66.8	61.09	8
16	70.9	65.10	10
17	74.9	69.11	10
18	78.9	73.14	10
19	82.9	77.16	10
20	86.9	81.19	10
21	91.0	85.22	10
22	95.0	89.24	10
23	99.0	93.27	10
24	103.0	97.29	10
25	107.1	101.33	10
26	111.2	105.36	12
27	115.4	109.40	12
28	119.4	113.42	12
29	123.4	117.46	12
30	127.5	121.50	12
31	131.5	125.54	12
32	135.5	129.56	12
33	139.6	133.60	12
34	143.6	137.64	12
35	147.6	141.68	12
36	151.7	145.72	16
37	155.7	149.76	16
38	159.8	153.80	16
39	163.8	157.83	16
40	167.8	161.87	16
41	171.4	165.91	16
42	175.4	169.95	16

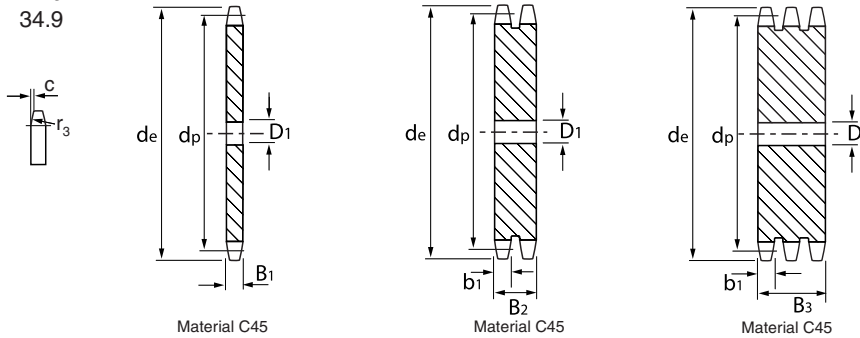
Teeth	Outer Dia de	Pitch Dia dp	Simplex Stock Bore D1
43	179.5	173.99	16
44	183.5	178.03	16
45	187.5	182.07	16
46	191.6	186.10	20
47	195.6	190.14	20
48	199.7	194.18	20
49	203.7	198.22	20
50	207.8	202.26	20
51	211.8	206.30	20
52	215.9	210.34	20
53	219.9	214.37	20
54	224.0	218.43	20
55	228.0	222.46	20
56	232.1	226.50	20
57	236.1	230.54	20
58	240.2	234.58	20
59	244.2	238.62	20
60	248.2	242.66	20
62	256.7	250.75	20
64	264.8	258.82	20
65	268.8	262.86	20
66	272.9	266.90	25
68	280.9	274.99	25
70	289.0	283.07	25
72	297.1	291.16	25
75	309.2	303.27	25
76	313.3	307.33	25
78	321.4	315.40	25
80	329.4	323.48	25

Plate Wheels

BS Pilot Bore Plate Wheels

08B 1/2" x 5/16"

SPROCKET		CHAIN	
	mm		mm
Tooth Radius r3	13.0	Pitch	12.700
Chamfer c	1.3	Width Between Inner Plates	7.750
Tooth Width b1	7.0	Roller Diameter	8.510
Tooth Width B1	7.2		
Tooth Width B2	21.0		
Tooth Width B3	34.9		



Teeth	Outer Dia de	Pitch Dia dp	Simplex	Duplex	Triplex
			Stock Bore D1	Stock Bore D1	Stock Bore D1
8	37.2	33.18	8	10	10
9	41.0	37.13	8	10	10
10	45.2	41.10	8	10	10
11	48.7	45.07	10	10	12
12	53.0	49.07	10	10	12
13	57.4	53.06	10	10	12
14	61.8	57.07	10	10	12
15	65.5	61.09	10	10	12
16	69.5	65.10	10	12	16
17	73.6	69.11	10	12	16
18	77.8	73.14	10	12	16
19	81.7	77.16	10	12	16
20	85.8	81.19	10	12	16
21	89.7	85.22	12	16	16
22	93.8	89.24	12	16	16
23	98.2	93.27	12	16	16
24	101.8	97.29	12	16	16
25	105.8	101.33	12	16	16
26	110.0	105.36	16	16	16
27	114.0	109.40	16	16	16
28	118.0	113.42	16	16	16
29	122.0	117.46	16	16	16
30	126.1	121.50	16	16	16
31	130.2	125.54	16	16	20
32	134.3	129.56	16	16	20
33	138.4	133.60	16	16	20
34	142.6	137.64	16	16	20
35	146.7	141.68	16	16	20
36	151.0	145.72	16	20	20
37	154.6	149.76	16	20	20
38	158.6	153.80	16	20	20
39	162.7	157.83	16	20	20
40	166.8	161.87	16	20	20
41	171.4	165.91	20	20	25
42	175.4	169.95	20	20	25
43	179.7	173.99	20	20	25

Teeth	Outer Dia de	Pitch Dia dp	Simplex	Duplex	Triplex
			Stock Bore D1	Stock Bore D1	Stock Bore D1
44	183.8	178.03	20	20	25
45	188.0	182.07	20	20	25
46	192.1	186.10	20	20	25
47	196.2	190.14	20	20	25
48	200.3	194.18	20	20	25
49	204.3	198.22	20	20	25
50	208.3	202.26	20	20	25
51	212.1	206.30	20	25	25
52	216.1	210.34	20	25	25
53	220.2	214.37	20	25	25
54	224.1	218.43	20	25	25
55	228.1	222.46	20	25	25
56	232.2	226.50	20	25	25
57	236.4	230.54	20	25	25
58	240.5	234.58	20	25	-
59	244.5	238.62	20	25	-
60	248.6	242.66	20	25	25
62	256.9	250.75	25	25	25
64	265.1	258.82	25	25	25
65	269.0	262.86	25	25	25
66	273.0	266.90	25	25	25
68	281.0	274.99	25	25	25
70	289.0	283.07	25	25	25
72	297.2	291.16	25	25	25
75	309.2	303.27	25	25	25
76	313.2	307.33	25	25	25
78	321.4	315.40	25	-	-
80	329.4	323.48	25	25	25
85	349.0	343.69	25	25	25
90	369.9	363.90	25	25	25
95	390.1	384.11	25	25	25
100	410.3	404.31	25	25	25
110	450.7	444.74	25	25	-
114	466.9	460.90	25	25	25
120	491.2	485.16	25	25	25
125	511.3	505.37	25	25	25

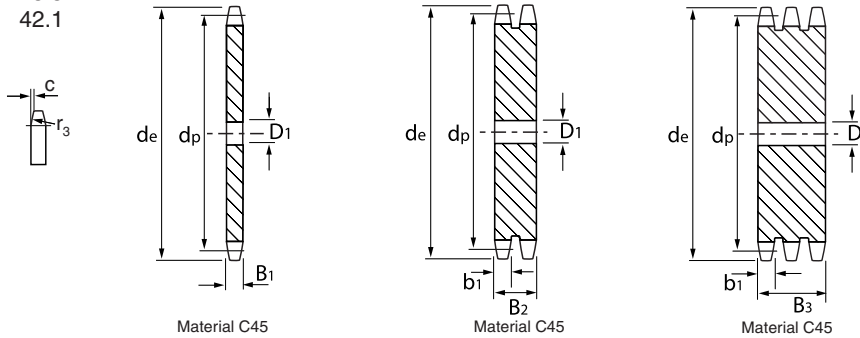
All dimensions in millimetres unless otherwise stated. Every effort has been taken to ensure that the data listed in this catalogue is correct. Challenge accepts no liability for any inaccuracies or damage caused.

Plate Wheels

BS Pilot Bore Plate Wheels

10B 5/8" x 3/8"

SPROCKET		CHAIN	
	mm		mm
Tooth Radius r_3	16.0	Pitch	15.875
Chamfer c	1.6	Width Between Inner Plates	9.650
Tooth Width b_1	9.0	Roller Diameter	10.160
Tooth Width B_1	9.1		
Tooth Width B_2	25.5		
Tooth Width B_3	42.1		



Teeth	Outer Dia d_e	Pitch Dia d_p	Simplex	Duplex	Triplex
			Stock Bore D1	Stock Bore D1	Stock Bore D1
8	47.0	41.48	10	10	12
9	52.6	46.42	10	10	12
10	57.5	51.37	10	10	12
11	63.0	56.34	10	12	12
12	68.0	61.34	10	12	12
13	73.0	66.32	10	12	12
14	78.0	71.34	10	12	12
15	83.0	76.36	10	12	12
16	88.0	81.37	12	12	16
17	93.0	86.39	12	12	16
18	98.3	91.42	12	12	16
19	103.3	96.45	12	12	16
20	108.4	101.49	12	12	16
21	113.4	106.52	12	16	16
22	118.0	111.55	12	16	16
23	123.4	116.58	12	16	16
24	128.3	121.62	12	16	16
25	134.0	126.66	12	16	16
26	139.0	131.70	16	16	20
27	144.0	136.75	16	16	20
28	148.7	141.78	16	16	20
29	153.8	146.83	16	16	20
30	158.8	151.87	16	16	20
31	163.9	156.92	16	20	20
32	168.9	161.95	16	20	20
33	174.5	167.00	16	20	20
34	179.0	172.05	16	20	20
35	184.1	177.10	16	20	20
36	189.1	182.15	20	20	25
37	194.2	187.20	20	20	25
38	199.2	192.24	20	20	25
39	204.2	197.29	20	20	25
40	209.3	202.34	20	20	25
41	214.8	207.39	20	20	25
42	219.9	212.44	20	20	25
43	224.9	217.49	20	20	25

Teeth	Outer Dia d_e	Pitch Dia d_p	Simplex	Duplex	Triplex
			Stock Bore D1	Stock Bore D1	Stock Bore D1
44	230.0	222.53	20	20	25
45	235.0	227.58	20	20	25
46	240.1	232.63	20	25	25
47	245.1	237.68	20	25	25
48	250.2	242.73	20	25	25
49	255.2	247.78	20	25	25
50	260.3	252.82	20	25	25
51	265.3	257.87	20	25	-
52	270.4	262.92	20	25	25
53	275.4	267.97	20	25	25
54	280.5	273.03	20	25	-
55	285.5	278.08	20	25	25
56	290.6	283.13	25	25	-
57	296.0	288.18	25	25	25
58	300.7	293.23	25	25	-
59	305.7	298.27	25	25	-
60	310.8	303.32	25	25	25
62	321.4	313.43	25	25	-
64	331.5	323.83	25	25	30
65	336.5	328.58	25	25	30
66	341.6	333.63	25	25	-
68	351.7	343.74	25	25	30
70	361.8	353.84	25	25	30
72	371.9	363.95	25	25	30
75	387.1	379.09	25	25	30
76	392.1	384.16	25	25	-
78	402.2	394.25	25	-	30
80	412.3	404.35	25	25	30
85	437.6	429.62	30	30	30
90	462.8	454.88	30	30	30
95	488.5	480.14	30	30	30
100	513.4	505.40	30	30	30
110	563.9	555.92	-	30	30
114	584.1	576.13	-	30	30
120	614.8	606.44	-	30	-
125	639.7	631.71	-	30	-

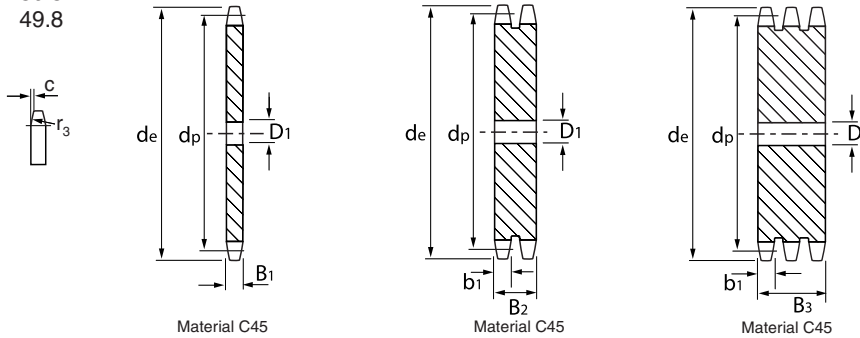
Every effort has been taken to ensure that the data listed in this catalogue is correct. Challenge accepts no liability for any inaccuracies or damage caused. All dimensions in millimetres unless otherwise stated.

Plate Wheels

BS Pilot Bore Plate Wheels

12B 3/4" x 7/16"

SPROCKET		CHAIN	
	mm		mm
Tooth Radius r_3	19.0	Pitch	19.050
Chamfer c	2.0	Width Between Inner Plates	11.680
Tooth Width b_1	10.8	Roller Diameter	12.070
Tooth Width B_1	11.1		
Tooth Width B_2	30.3		
Tooth Width B_3	49.8		



Teeth	Outer Dia d_e	Pitch Dia d_p	Simplex	Duplex	Triplex
			Stock Bore D1	Stock Bore D1	Stock Bore D1
8	57.6	49.78	12	12	12
9	62.0	55.70	12	12	12
10	69.0	61.64	12	12	12
11	75.0	67.61	14	14	16
12	81.5	73.10	14	14	16
13	87.5	79.59	14	14	16
14	93.6	85.61	14	14	16
15	99.8	91.63	14	14	16
16	105.5	97.65	14	16	16
17	111.5	103.67	14	16	16
18	118.0	109.71	14	16	16
19	124.2	115.75	14	16	16
20	129.7	121.78	14	16	16
21	136.0	127.82	16	16	20
22	141.8	133.86	16	16	20
23	149.0	139.90	16	16	20
24	153.9	145.94	16	16	20
25	160.0	152.00	16	16	20
26	165.9	158.04	16	20	20
27	172.3	164.09	16	20	20
28	178.0	170.13	16	20	20
29	184.1	176.19	16	20	20
30	190.5	182.25	16	20	20
31	196.3	188.31	20	20	25
32	203.3	194.35	20	20	25
33	209.3	200.40	20	20	25
34	214.6	206.46	20	20	25
35	221.0	212.52	20	20	25
36	226.8	218.58	20	25	25
37	232.9	224.64	20	25	25
38	239.0	230.69	20	25	25
39	245.1	236.75	20	25	25
40	251.3	242.81	20	25	25
41	257.3	248.87	25	25	25
42	264.5	254.93	25	25	25
43	270.5	260.98	25	25	25

Teeth	Outer Dia d_e	Pitch Dia d_p	Simplex	Duplex	Triplex
			Stock Bore D1	Stock Bore D1	Stock Bore D1
44	276.5	267.04	25	25	25
45	282.5	273.10	25	25	25
46	287.9	279.16	25	25	25
47	294.0	285.21	25	25	25
48	300.1	291.27	25	25	25
49	306.2	297.33	25	25	25
50	312.3	303.39	25	25	25
51	318.4	309.45	25	25	-
52	324.5	315.50	25	25	25
53	330.5	321.56	25	25	-
54	336.6	327.64	25	25	25
55	342.7	333.70	25	25	25
56	348.7	339.75	25	25	-
57	355.4	345.81	25	25	30
58	361.5	351.87	25	25	30
60	373.0	363.99	25	25	30
62	385.1	376.12	25	30	-
64	397.2	388.24	25	30	-
65	403.2	394.29	25	30	30
66	409.2	400.35	-	30	30
68	421.4	412.49	30	-	-
70	433.6	424.60	30	30	30
72	447.0	436.74	30	30	30
75	463.9	454.91	30	30	-
76	469.9	460.99	30	30	30
78	482.1	473.10	30	-	-
80	494.2	485.22	30	30	30
85	524.5	515.55	30	30	-
90	554.8	545.86	30	30	-
95	585.1	576.17	30	30	-
100	615.4	606.47	-	30	-

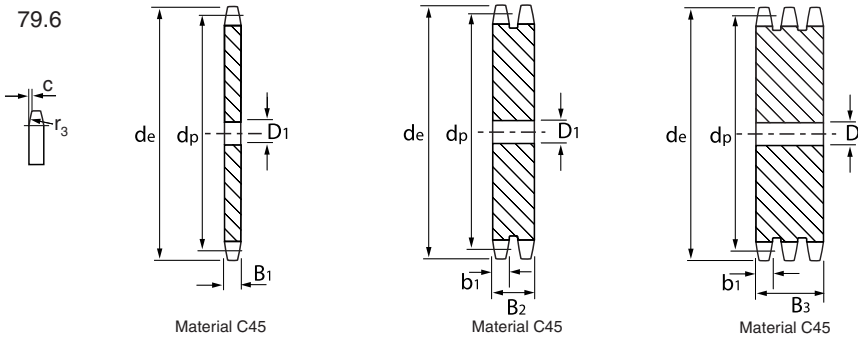
All dimensions in millimetres unless otherwise stated. Every effort has been taken to ensure that the data listed in this catalogue is correct. Challenge accepts no liability for any inaccuracies or damage caused.

Plate Wheels

BS Pilot Bore Plate Wheels

16B 1" x 17.02 mm

SPROCKET		CHAIN	
	mm		mm
Tooth Radius r_3	26.0	Pitch	25.400
Chamfer c	2.5	Width Between Inner Plates	17.020
Tooth Width b1	15.8	Roller Diameter	15.880
Tooth Width B1	16.2		
Tooth Width B2	47.7		
Tooth Width B3	79.6		



Teeth	Outer Dia de	Pitch Dia dp	Simplex	Duplex	Triplex
			Stock Bore D1	Stock Bore D1	Stock Bore D1
8	77.0	66.37	12	16	20
9	85.0	74.27	12	16	20
10	93.0	82.19	12	16	20
11	99.5	90.14	16	20	20
12	109.0	98.14	16	20	20
13	117.0	106.12	16	20	20
14	125.0	114.15	16	20	20
15	133.0	122.17	16	20	20
16	141.0	130.20	20	20	30
17	149.0	138.22	20	20	30
18	157.0	146.28	20	20	30
19	165.2	154.33	20	20	30
20	173.2	162.38	20	20	30
21	181.2	170.43	20	25	30
22	189.3	178.48	20	25	30
23	197.5	186.53	20	25	30
24	205.5	194.59	20	25	30
25	213.5	202.66	20	25	30
26	221.6	210.72	20	25	30
27	229.6	218.79	20	25	30
28	237.7	226.85	20	25	30
29	245.8	234.92	20	25	30
30	254.0	243.00	20	25	30
31	262.0	251.08	25	25	30
32	270.0	259.13	25	25	30
33	278.5	267.21	25	25	30
34	287.0	275.28	25	25	30
35	296.2	283.36	25	25	30
36	304.6	291.44	25	25	30
37	312.6	299.51	25	25	30
38	320.7	307.59	25	25	30
39	328.8	315.67	25	25	30
40	336.9	323.75	25	25	30
41	345.0	331.82	25	-	-
42	353.0	339.90	25	25	30
43	361.1	347.98	25	25	-

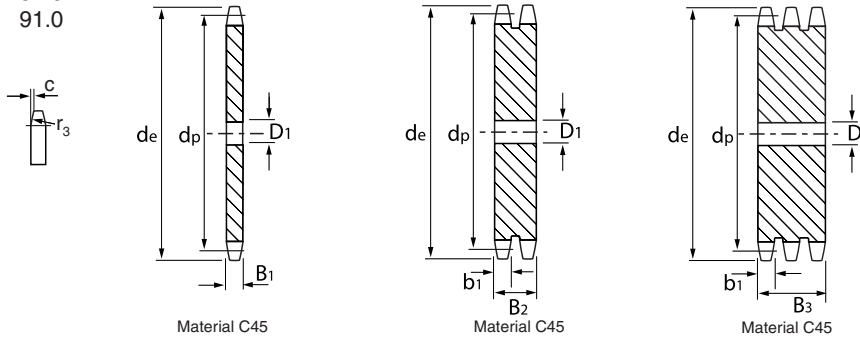
Teeth	Outer Dia de	Pitch Dia dp	Simplex	Duplex	Triplex
			Stock Bore D1	Stock Bore D1	Stock Bore D1
44	369.1	356.06	25	25	30
45	377.1	364.13	25	25	30
46	385.2	372.21	25	30	30
47	393.2	380.29	25	-	-
48	401.3	388.36	25	30	30
49	409.3	396.44	25	-	-
50	417.4	404.52	25	30	30
51	425.5	412.60	30	-	-
52	433.6	420.67	30	30	40
53	441.7	428.75	30	-	-
54	448.3	436.85	30	-	-
55	457.9	444.93	30	30	40
56	466.0	453.01	30	40	-
57	474.0	461.07	30	40	40
58	482.1	469.16	30	-	-
60	498.3	485.32	30	40	-
62	514.5	501.50	30	-	-
64	530.7	517.65	30	-	-
65	538.8	525.73	30	-	-
66	546.8	533.80	30	-	-
68	562.9	549.98	30	-	-
70	579.2	566.14	30	-	-
72	595.4	582.32	30	-	-
75	619.7	606.55	30	-	-
76	627.0	614.65	30	-	-
78	643.3	630.80	30	-	-
80	660.0	646.96	30	-	-
85	699.9	687.40	30	-	-
90	740.3	727.81	30	-	-
95	781.1	768.22	30	-	-

Plate Wheels

BS Pilot Bore Plate Wheels

20B 1.1/4" x 19.56 mm

SPROCKET		CHAIN	
	mm		mm
Tooth Radius r3	32.0	Pitch	31.750
Chamfer c	3.5	Width Between Inner Plates	19.560
Tooth Width b1	18.2	Roller Diameter	19.050
Tooth Width B1	18.5		
Tooth Width B2	54.6		
Tooth Width B3	91.0		



Teeth	Outer Dia de	Pitch Dia dp	Simplex Stock Bore D1	Duplex Stock Bore D1	Triplex Stock Bore D1
8	98.1	82.96	16	20	20
9	108.0	92.84	16	20	20
10	117.9	102.74	16	20	20
11	127.8	112.68	20	20	25
12	137.8	122.68	20	20	25
13	147.8	132.65	20	20	25
14	157.8	142.68	20	20	25
15	167.9	152.72	20	20	25
16	177.9	162.75	20	30	30
17	187.9	172.78	20	30	30
18	198.0	182.85	20	30	30
19	208.1	192.91	20	30	30
20	218.1	202.98	20	30	30
21	228.2	213.04	25	30	30
22	238.3	223.11	25	30	30
23	248.3	233.17	25	30	30
24	258.4	243.23	25	30	30
25	268.5	253.33	25	30	30
26	278.6	263.40	30	30	30
27	288.6	273.40	30	30	30
28	298.7	283.56	30	30	30
29	308.8	293.65	30	30	-
30	318.9	303.75	30	30	30
31	329.0	313.85	30	30	-
32	339.1	323.91	30	30	30
33	349.2	334.01	30	30	30
34	359.3	344.10	30	30	30
35	369.4	354.20	30	30	30
36	379.5	364.30	30	30	30
37	389.5	374.39	30	30	30
38	399.6	384.49	30	30	30
39	409.7	394.59	30	30	-
40	419.8	404.66	30	30	30
41	429.9	414.78	30	-	-

Teeth	Outer Dia de	Pitch Dia dp	Simplex Stock Bore D1	Duplex Stock Bore D1	Triplex Stock Bore D1
42	440.0	424.80	30	30	-
43	450.1	434.97	30	-	-
44	460.2	445.07	30	-	-
45	470.3	455.07	30	30	-
46	480.4	465.26	30	30	-
48	500.6	485.46	30	30	-
50	520.8	505.65	30	30	-
51	530.9	515.75	30	-	-
52	541.0	525.84	30	-	-
53	551.1	535.94	-	-	-
54	561.2	546.07	30	-	-
55	571.3	556.16	30	-	-
56	581.4	566.26	30	-	-
57	591.5	576.36	30	-	-

All dimensions in millimetres unless otherwise stated. Every effort has been taken to ensure that the data listed in this catalogue is correct. Challenge accepts no liability for any inaccuracies or damage caused.

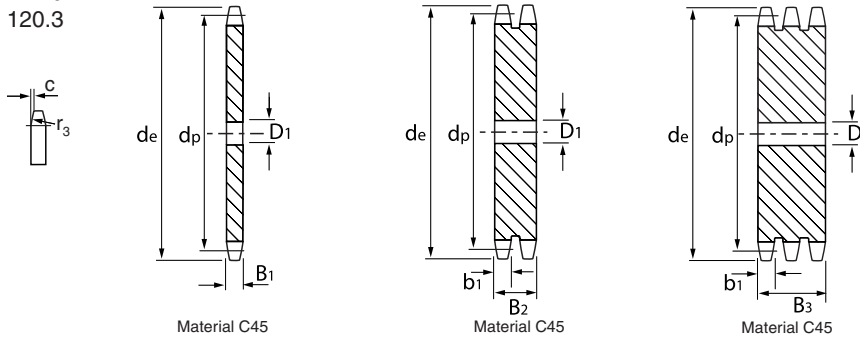
Plate Wheels

BS Pilot Bore Plate Wheels

24B 1.1/2" x 25.4 mm

SPROCKET	mm
Tooth Radius r_3	38.0
Chamfer c	4.0
Tooth Width b1	23.6
Tooth Width B1	24.1
Tooth Width B2	72.0
Tooth Width B3	120.3

CHAIN	mm
Pitch	38.100
Width Between Inner Plates	25.400
Roller Diameter	25.400



Teeth	Outer Dia de	Pitch Dia dp	Simplex	Duplex	Triplex
			Stock Bore D1	Stock Bore D1	Stock Bore D1
8	115.0	99.50	20	25	25
9	126.4	111.40	20	25	25
10	138.0	123.29	20	25	25
11	150.0	135.21	25	25	30
12	162.0	147.22	25	25	30
13	174.2	159.18	25	25	30
14	186.2	171.22	25	25	30
15	198.2	183.26	25	25	30
16	210.3	195.30	25	30	30
17	222.3	207.34	25	30	30
18	234.3	219.42	25	30	30
19	246.5	231.49	25	30	30
20	258.6	243.57	25	30	30
21	270.6	255.65	30	30	40
22	282.7	267.73	30	30	40
23	294.8	279.80	30	30	40
24	306.8	291.88	30	30	40
25	319.0	304.00	30	30	40
26	331.0	316.08	30	30	40
27	343.2	328.19	30	30	40
28	355.2	340.27	30	30	40
29	367.3	352.38	30	30	40
30	379.5	364.50	30	30	40
31	391.6	376.62	30	40	40
32	403.7	388.69	30	40	40
33	415.8	400.81	30	40	40
34	427.8	412.93	30	40	40
35	440.0	425.04	30	40	40
36	452.0	437.16	30	40	40
37	464.2	449.27	30	40	40
38	476.2	461.39	30	40	40
40	500.6	485.62	30	-	40

Teeth	Outer Dia de	Pitch Dia dp	Simplex	Duplex	Triplex
			Stock Bore D1	Stock Bore D1	Stock Bore D1
41	512.6	497.74	30	-	-
42	524.7	509.85	30	-	-
43	536.8	521.97	30	-	-
44	549.0	534.08	30	-	-
45	561.2	546.20	30	-	-
46	573.3	558.32	30	-	-
48	597.4	582.55	30	-	-

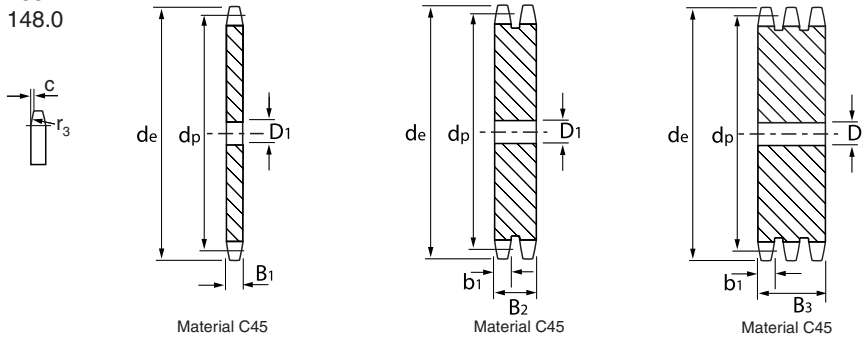
Plate Wheels

BS Pilot Bore Plate Wheels

28B 1.3/4" x 1.1/4"

SPROCKET	mm
Tooth Radius r_3	44.0
Chamfer c	5.0
Tooth Width B1	29.4
Tooth Width b1	28.8
Tooth Width B2	88.4
Tooth Width B3	148.0

CHAIN	mm
Pitch	44.450
Width Between Inner Plates	30.990
Roller Diameter	27.940



Teeth	Outer Dia de	Pitch Dia dp	Simplex	Duplex	Triplex
			Stock Bore D1	Stock Bore D1	Stock Bore D1
8	132.0	116.15	25	25	25
9	148.4	129.96	25	25	25
10	162.3	143.85	25	25	25
11	176.3	157.77	25	30	30
12	189.3	171.74	25	30	30
13	204.2	185.75	25	30	30
14	218.2	199.76	25	30	30
15	232.3	213.79	25	30	30
16	246.3	227.84	30	30	30
17	260.0	241.90	30	30	30
18	274.0	255.98	30	30	30
19	289.0	270.06	30	30	30
20	303.0	284.15	30	30	30
21	317.0	298.24	30	30	40
22	331.0	312.34	30	30	-
23	345.0	326.44	30	30	40
24	359.0	340.55	30	30	-
25	373.0	354.66	30	30	-
26	387.0	368.77	30	40	-

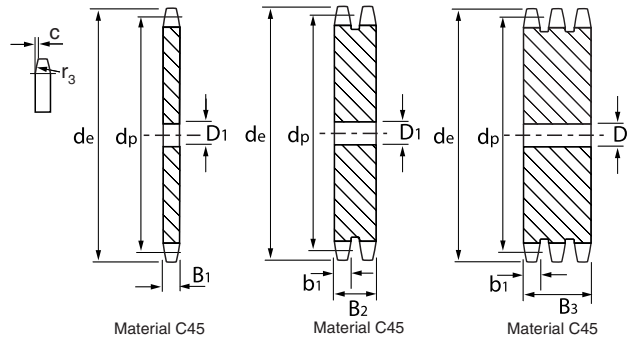
Teeth	Outer Dia de	Pitch Dia dp	Simplex	Duplex	Triplex
			Stock Bore D1	Stock Bore D1	Stock Bore D1
27	401.0	382.88	30	-	-
28	416.0	397.00	30	40	-
30	444.0	425.24	30	40	-
32	472.0	453.49	30	-	-
34	500.0	481.75	30	-	-
35	514.0	495.88	30	-	-
36	529.0	510.01	30	-	-
38	557.0	538.27	30	-	-
40	585.0	566.54	30	-	-

Plate Wheels

BS Pilot Bore Plate Wheels

32B 2" x 1.1/4"

SPROCKET	mm	CHAIN	mm
Tooth Radius r_3	51.0	Pitch	50.800
Chamfer c	6.0	Width Between Inner Plates	30.990
Tooth Width B_1	29.4	Roller Diameter	29.210
Tooth Width b_1	28.8		
Tooth Width B_2	87.4		
Tooth Width B_3	146.0		

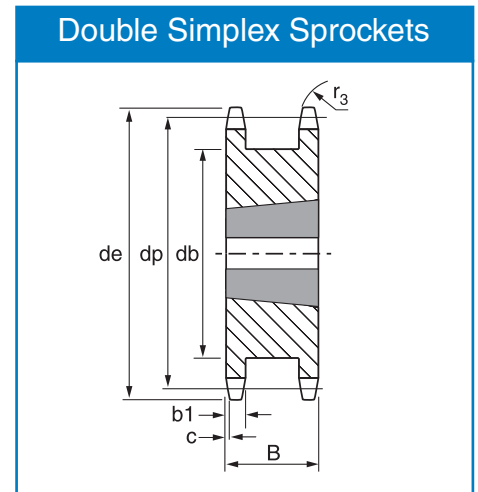


Teeth	Outer Dia d_e	Pitch Dia d_p	Simplex	Duplex	Triplex
			Stock Bore D_1	Stock Bore D_1	Stock Bore D_1
8	153.2	132.74	25	25	25
9	169.0	148.54	25	25	25
10	185.0	164.39	25	25	25
11	200.8	180.31	30	35	35
12	216.8	196.29	30	35	35
13	232.8	212.29	30	35	35
14	248.8	228.29	30	35	35
15	264.8	244.30	30	35	35
16	280.9	260.40	30	40	40
17	296.9	276.46	30	40	40
18	313.0	292.55	30	40	40
19	329.1	308.66	30	40	40
20	345.2	324.71	30	40	40
21	361.3	340.82	40	40	-
22	377.5	356.98	40	40	-
23	393.6	373.08	40	40	-
24	409.7	389.18	40	40	-
25	425.8	405.33	40	40	-
26	441.9	421.44	40	40	-
27	458.1	437.58	40	-	-
28	474.2	453.69	40	-	-
30	506.5	486.00	40	-	40
32	538.8	518.27	40	-	40
35	589.5	566.71	40	-	40

Double Simplex Sprockets

Taper Bore Double Simplex Sprockets

06B		3/8" x 7/32"			
SPROCKET		mm			
Tooth Radius r_3		10.00			
Chamfer c		1.00			
Tooth Width b1		5.3			
Teeth	Outer Dia de	Pitch Dia dp	Width B	Hub Dia db	Taper Bush
18	58.3	54.85	23.5	43	1008
19	61.3	57.87	23.5	46	1008
20	64.3	60.89	23.5	48	1108
21	68.0	63.91	23.5	52	1108
23	73.5	69.95	23.5	58	1108
25	80.0	76.00	23.5	64	1108



08B		1/2" x 5/16"			
SPROCKET		mm			
Tooth Radius r_3		13.00			
Chamfer c		1.30			
Tooth Width b1		7.20			
Teeth	Outer Dia de	Pitch Dia dp	Width B	Hub Dia db	Taper Bush
15	65.5	61.09	31	45	1008
16	69.5	65.10	31	49	1108
17	73.6	69.11	31	53	1108
18	77.8	73.14	31	58	1210
19	81.7	77.16	31	62	1210
20	85.8	81.19	31	66	1210
21	89.7	85.22	31	70	1610
23	98.2	93.27	31	78	1610
25	105.8	101.33	31	86	2012

10B		5/8" x 3/8"			
SPROCKET		mm			
Tooth Radius r_3		16.00			
Chamfer c		1.60			
Tooth Width b1		9.20			
Teeth	Outer Dia de	Pitch Dia dp	Width B	Hub Dia db	Taper Bush
12	68.0	61.34	36.5	45	1108
13	73.0	66.32	36.5	50	1108
14	78.0	71.34	36.5	55	1108
15	83.0	76.36	36.5	60	1210
16	88.0	81.37	36.5	65	1210
17	93.0	86.39	36.5	70	1610
18	98.3	91.42	36.5	75	1610
19	103.3	96.45	36.5	80	1610
20	108.4	101.49	36.5	85	1610
21	113.4	106.52	36.5	90	2012
23	123.4	116.58	36.5	100	2012
25	134.0	126.66	36.5	110	2012

12B		3/4" x 7/16"			
SPROCKET		mm			
Tooth Radius r_3		19.00			
Chamfer c		2.00			
Tooth Width b1		11.20			
Teeth	Outer Dia de	Pitch Dia dp	Width B	Hub Dia db	Taper Bush
13	87.5	79.59	45	59	1210
14	93.6	85.61	45	65	1210
15	99.8	91.63	45	71	1610
16	105.5	97.65	45	77	1610
17	111.5	103.67	45	83	1610
18	118.0	109.71	45	89	2012
19	124.2	115.75	45	95	2012
20	129.7	121.78	45	101	2517
21	136.0	127.82	45	107	2517
23	149.0	139.90	45	119	2517
25	160.0	152.00	45	131	2517

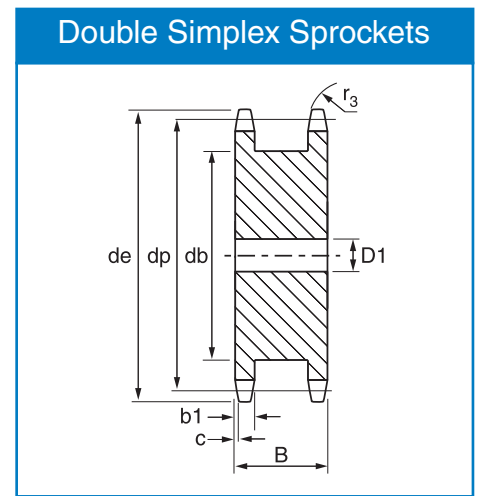
16B		1" x 17.02 mm			
SPROCKET		mm			
Tooth Radius r_3		26.00			
Chamfer c		2.50			
Tooth Width b1		16.20			
Teeth	Outer Dia de	Pitch Dia dp	Width B	Hub Dia db	Taper Bush
12	109.0	98.14	63.5	72	1615
13	117.0	106.12	63.5	81	1615
14	125.0	114.15	63.5	88	2012
15	133.0	122.17	63.5	97	2012
16	141.0	130.20	63.5	104	2012
17	149.0	138.22	63.5	113	2517
18	157.0	146.28	63.5	121	2517
19	165.2	154.33	63.5	129	2517
20	173.2	162.38	63.5	137	3020
21	181.2	170.43	63.5	145	3020
23	197.5	186.53	63.5	161	3525
25	213.5	202.66	63.5	177	3525

All dimensions in millimetres unless otherwise stated. Every effort has been taken to ensure that the data listed in this catalogue is correct. Challenge accepts no liability for any inaccuracies or damage caused.

Double Simplex Sprockets

Pilot Bore Double Simplex Sprockets

06B		3/8" x 7/32"			
SPROCKET		mm			
Tooth Radius r_3		10.00			
Chamfer c		1.00			
Tooth Width b1		5.3			
Teeth	Outer Dia d_e	Pitch Dia d_p	Width B	Hub Dia d_b	Stock Bore D1
14	46.3	42.80	23.5	31	10
15	49.3	54.81	23.5	34	10
16	52.3	48.82	23.5	37	10
17	55.3	51.83	23.5	40	10
18	58.3	54.85	23.5	43	10
19	61.3	57.87	23.5	46	10
20	64.3	60.89	23.5	48	10
21	68.0	63.91	23.5	52	10



08B		1/2" x 5/16"			
SPROCKET		mm			
Tooth Radius r_3		13.00			
Chamfer c		1.30			
Tooth Width b1		7.20			
Teeth	Outer Dia d_e	Pitch Dia d_p	Width B	Hub Dia d_b	Stock Bore D1
12	53.0	49.07	31	35	12
13	57.4	53.06	31	38	12
14	61.8	57.07	31	41	12
15	65.6	61.09	31	45	12
16	69.5	65.10	31	49	12
17	73.6	69.11	31	53	12
18	77.8	73.14	31	58	12
19	81.7	77.16	31	62	12
20	85.8	81.19	31	66	12
21	89.7	85.22	31	70	18
23	98.2	93.27	31	78	18

10B		5/8" x 3/8"			
SPROCKET		mm			
Tooth Radius r_3		16.00			
Chamfer c		1.60			
Tooth Width b1		9.20			
Teeth	Outer Dia d_e	Pitch Dia d_p	Width B	Hub Dia d_b	Stock Bore D1
12	68.0	61.34	36.5	45	19
13	73.0	66.32	36.5	50	19
14	78.0	71.34	36.5	55	19
15	83.0	76.36	36.5	60	19
16	88.0	81.37	36.5	65	19
17	93.0	86.39	36.5	70	19
18	98.3	91.42	36.5	75	19
19	103.3	96.45	36.5	80	19
20	108.4	101.49	36.5	85	19
21	113.4	106.52	36.5	90	19
23	123.4	116.58	36.5	100	19

12B		3/4" x 7/16"			
SPROCKET		mm			
Tooth Radius r_3		19.00			
Chamfer c		2.00			
Tooth Width b1		11.20			
Teeth	Outer Dia d_e	Pitch Dia d_p	Width B	Hub Dia d_b	Stock Bore D1
12	81.5	73.61	45	53	24
13	87.5	79.59	45	59	24
14	93.6	85.61	45	65	24
15	99.8	91.63	45	71	24
16	105.5	97.65	45	77	24
17	111.5	103.67	45	83	24
18	118.0	109.71	45	89	24
19	124.2	115.75	45	95	24
20	129.7	121.78	45	101	24
21	136.0	127.82	45	107	24
23	149.0	139.90	45	119	24

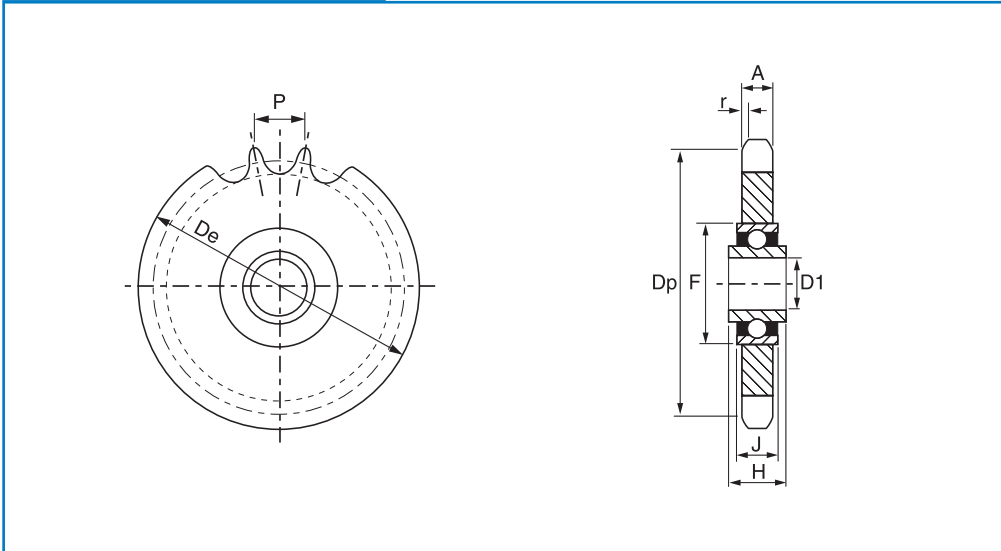
16B		1" x 17.02 mm			
SPROCKET		mm			
Tooth Radius r_3		26.00			
Chamfer c		2.50			
Tooth Width b1		16.20			
Teeth	Outer Dia d_e	Pitch Dia d_p	Width B	Hub Dia d_b	Stock Bore D1
12	109.0	98.14	63.5	72	25
13	117.0	106.12	63.5	81	25
14	125.0	114.15	63.5	88	25
15	133.0	122.17	63.5	97	25
16	141.0	130.20	63.5	104	25
17	149.0	138.22	63.5	113	25
18	157.0	146.28	63.5	121	25
19	165.2	154.33	63.5	129	25

Every effort has been taken to ensure that the data listed in this catalogue is correct. Challenge accepts no liability for any inaccuracies or damage caused. All dimensions in millimetres unless otherwise stated.

Idler Sprockets

Idler Sprockets

Idler Sprockets



Chain Size	Chain Pitch x Width Between Inner Plates	Teeth	Outer Dia de	Pitch Dia dp	Tooth Width A	Bearing Bore D1	Bearing Bore Width H	Bearing Outside Dia F	Bearing Width J
05B	8 mm x 3 mm	23	62.0	58.75	2.8	16	18.3	40	12
06B	3/8" x 7/32"	21	68.0	63.91	5.3	16	18.3	40	12
81	1/2" x 1/8"	18	78.9	73.14	3.0	16	18.3	40	12
83	1/2" x 3/16"	18	78.9	73.14	4.5	16	18.3	40	12
84	1/2" x 3/16"	18	78.9	73.14	4.5	16	18.3	40	12
08B	1/2" x 5/16"	16	69.5	65.10	7.2	16	18.3	40	12
08B	1/2" x 5/16"	18	77.8	73.14	7.2	16	18.3	40	12
10B	5/8" x 3/8"	14	78.0	71.34	9.1	16	18.3	40	12
10B	5/8" x 3/8"	15	83.0	76.36	9.1	16	18.3	40	12
10B	5/8" x 3/8"	17	93.0	86.30	9.1	16	18.3	40	12
12B	3/4" x 7/16"	13	87.5	79.59	11.1	16	18.3	40	12
12B	3/4" x 7/16"	15	99.8	91.63	11.1	16	18.3	40	12
16B	1" x 17.02 mm	12	109.0	98.14	16.2	20	17.7	47	14
20B	1.1/4" x 3/4"	13	147.8	132.65	18.5	25	21.0	52	15

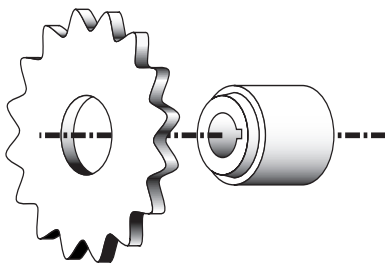
Chain Size	Chain Pitch x Width Between Inner Plates	Teeth	Outer Dia de	Pitch Dia dp	Tooth Width A	Bearing Bore D1	Bearing Bore Width H	Bearing Outside Dia F	Bearing Width J
ASA 35	3/8" x 3/16"	20	65.77	60.89	4.4	16.00	18.3	40	12
ASA 40	1/2" x 5/16"	17	75.68	69.12	7.4	16.00	18.3	40	12
ASA 40	1/2" x 5/16"	18	79.70	73.14	7.4	16.00	18.3	40	12
ASA 50	5/8" x 3/8"	15	83.00	76.36	9.0	16.00	18.3	40	12
ASA 50	5/8" x 3/8"	17	93.00	86.39	9.0	16.00	18.3	40	12
ASA 60	3/4" x 1/2"	13	89.49	79.59	12.0	16.00	18.3	40	12
ASA 60	3/4" x 1/2"	15	101.52	91.63	12.0	16.00	18.3	40	12
ASA 80	1" x 5/8"	12	103.28	90.14	15.0	19.05	17.7	47	14

Welded Hubs & Sprockets

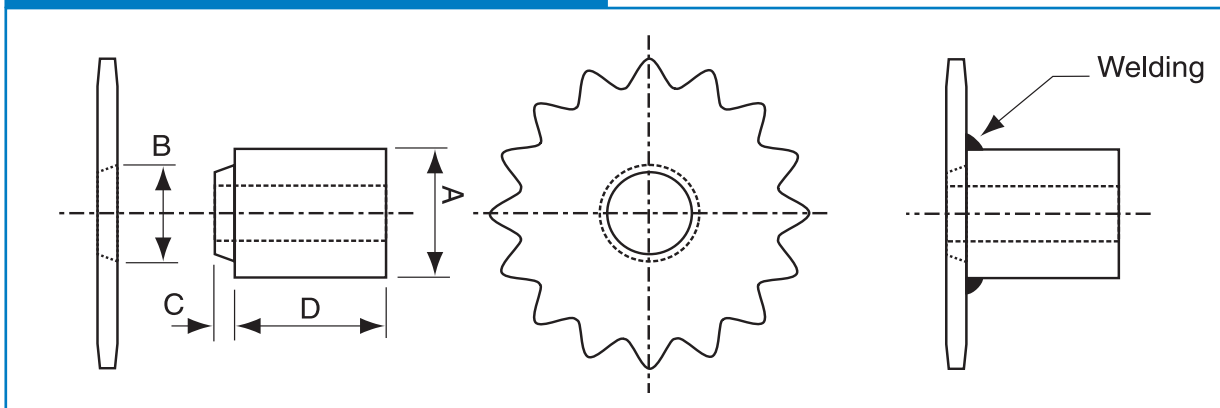
WELDED HUBS

For use with Welded Sprockets

	VTR Series Hub For AVT sprockets		WTR Series Hub For AWT sprockets		XTR Series Hub For AXT sprockets		YSR Series Hub-Bolt On For AYS sprockets	
A	34mm	(1.5/16")	45mm	(1.3/4")	62mm	(2.7/16")	125mm	(5")
B	30mm	(1.3/16")	41mm	(1.5/8")	57mm	(2.1/4")	90mm	(3.9/16")
C	12mm	(1/2")	12mm	(1/2")	12mm	(1/2")	24mm	(15/16")
D	30mm	(1.3/16")	37mm	(1.7/16")	37mm	(1.7/16")	41mm	(1.5/8")
Bore								
	Inch	mm	Inch	mm	Inch	mm	Inch	mm
	1/2"	12	1/2"	12	1/2"	12	3/4"	18
	9/16"	14	9/16"	14	9/16"	14	13/16"	19
	5/8"	15	5/8"	15	5/8"	15	7/8"	20
	11/16"	16	11/16"	16	11/16"	16	15/16"	22
	3/4"	18	3/4"	18	3/4"	18	1"	24
	13/16"	19	13/16"	19	13/16"	19	1.1/16"	25
	7/8"	20	7/8"	20	7/8"	20	1.1/8"	28
		22	15/16"	22	15/16"	22	1.3/16"	30
			1"	24	1"	24	1.1/4"	32
			1.1/16"	25	1.1/16"	25	1.5/16"	35
			1.1/8"	28	1.1/8"	28	1.3/8"	38
			1.3/16"	30	1.3/16"	30	1.7/16"	40
			1.1/4"	32	1.1/4"	32	1.1/2"	42
					1.5/16"	35	1.5/8"	45
					1.3/8"	38	1.3/4"	48
					1.7/16"	40	1.7/8"	50
					1.1/2"	42	2"	55
					1.5/8"	45	2.1/8"	55
					1.3/4"		2.1/4"	
							2.3/8"	60
							2.1/2"	65
							2.5/8"	
							2.3/4"	70



Welded Hubs and Sprockets



Notes

- 1) Welding with low hydrogen electrodes is recommended
- 2) Keyways conform to BS 46 (imperial) and BS 4235 (metric)

Welded Hubs & Sprockets

BS Platewheel sprockets with prepared taper bore to receive welded hubs

No of Teeth	06B1 3/8" Pitch	08B1 1/2" Pitch	10B1 5/8" Pitch	12B1 3/4" Pitch	16B1 1" Pitch	20B1 1.1/4" Pitch
9				12AVT9HT	16AWT9HT	
10			10AVT10HT	12AVT10HT	16AWT10HT	20AXT10HT
11			10AVT11HT	12AWT11HT	16AWT11HT	20AXT11HT
12		08AVT12HT	10AWT12HT	12AWT12HT	16AXT12HT	20AXT12HT
13		08AVT13HT	10AWT13HT	12AWT13HT	16AXT13HT	20AXT13HT
14		08AVT14HT	10AWT14HT	12AWT14HT	16AXT14HT	20AXT14HT
15	06AVT15HT	08AVT15HT	10AWT15HT	12AXT15HT	16AXT15HT	20AXT15HT
16	06AVT16HT	08AWT16HT	10AWT16HT	12AXT16HT	16AXT16HT	20AYS16HT
17	06AVT17HT	08AWT17HT	10AXT17HT	12AXT17HT	16AXT17HT	20AYS17HT
18	06AVT18HT	08AWT18HT	10AXT18HT	12AXT18HT	16AXT18HT	20AYS18HT
19	06AVT19HT	08AWT19HT	10AXT19HT	12AXT19HT	16AXT19HT	20AYS19HT
20	06AVT20HT	08AXT20HT	10AXT20HT	12AXT20HT	16AXT20HT	20AYS20HT
21	06AVT21HT	08AXT21HT	10AXT21HT	12AXT21HT	16AXT21HT	20AYS21HT
22	06AWT22HT	08AXT22HT	10AXT22HT	12AXT22HT	16AXT22HT	20AYS22HT
23	06AWT23HT	08AXT23HT	10AXT23HT	12AXT23HT	16AXT23HT	20AYS23HT
24	06AWT24HT	08AXT24HT	10AXT24HT	12AXT24HT	16AXT24HT	20AYS24HT
25	06AWT25HT	08AXT25HT	10AXT25HT	12AXT25HT	16AXT25HT	20AYS25HT
26	06AWT26HT	08AXT26HT	10AXT26HT	12AXT26HT	16AXT26HT	20AYS26HT
27	06AWT27HT	08AXT27HT	10AXT27HT	12AXT27HT	16AXT27HT	20AYS27HT
28	06AWT28HT	08AXT28HT	10AXT28HT	12AXT28HT	16AXT28HT	20AYS28HT
29	06AWT29HT	08AXT29HT	10AXT29HT	12AXT29HT	16AXT29HT	20AYS29HT
30	06AWT30HT	08AXT30HT	10AXT30HT	12AXT30HT	16AXT30HT	20AYS30HT
31	06AWT31HT	08AXT31HT	10AXT31HT	12AXT31HT	16AXT31HT	20AYS31HT
32	06AWT32HT	08AXT32HT	10AXT32HT	12AXT32HT	16AXT32HT	20AYS32HT
33	06AWT33HT	08AXT33HT	10AXT33HT	12AXT33HT	16AXT33HT	20AYS33HT
34	06AWT34HT	08AXT34HT	10AXT34HT	12AXT34HT	16AXT34HT	20AYS34HT
35	06AWT35HT	08AXT35HT	10AXT35HT	12AXT35HT	16AXT35HT	20AYS35HT
36	06AWT36HT	08AXT36HT	10AXT36HT	12AXT36HT	16AXT36HT	20AYS36HT
37	06AWT37HT	08AXT37HT	10AXT37HT	12AXT37HT	16AXT37HT	20AYS37HT
38	06AWT38HT	08AXT38HT	10AXT38HT	12AXT38HT	16AXT38HT	20AYS38HT
39	06AWT39HT	08AXT39HT	10AXT39HT	12AXT39HT	16AXT39HT	20AYS39HT
40	06AWT40HT	08AXT40HT	10AXT40HT	12AXT40HT	16AXT40HT	20AYS40HT
42	06AWT42HT	08AXT42HT	10AXT42HT	12AXT42HT	16AXT42HT	20AYS42HT
43	06AWT43HT	08AXT43HT	10AXT43HT	12AXT43HT	16AXT43HT	20AYS43HT
44	06AWT44HT	08AXT44HT	10AXT44HT	12AXT44HT	16AXT44HT	20AYS44HT
45	06AWT45HT	08AXT45HT	10AXT45HT	12AXT45HT	16AXT45HT	20AYS45HT
48	06AWT48HT	08AXT48HT	10AXT48HT	12AXT48HT	16AXT48HT	20AYS48HT
50	06AWT50HT	08AXT50HT	10AXT50HT	12AXT50HT	16AYS50HT	20AYS50HT
57	06AWT57HT	08AXT57HT	10AXT57HT	12AXT57HT	16AYS57HT	20AYS57HT
60	06AWT60HT	08AXT60HT	10AXT60HT	12AXT60HT	16AYS60HT	20AYS60HT
70	06AYS70HT	08AYS70HT	10AYS70HT	12AYS70HT	16AYS70HT	20AYS70HT
76	06AYS76HT	08AYS76HT	10AYS76HT	12AYS76HT	16AYS76HT	20AYS76HT
80	06AYS80HT	08AYS80HT	10AYS80HT	12AYS80HT	16AYS80HT	20AYS80HT
84	06AYS84HT	08AYS84HT	10AYS84HT	12AYS84HT	16AYS84HT	20AYS84HT
96	06AYS96HT	08AYS96HT	10AYS96HT	12AYS96HT	16AYS96HT	20AYS96HT

HT = Induction Hardened Teeth

Pitch BS/ANSI Chain Size	3/8"		1/2"		5/8"		3/4"		1"		1.1/4"	
	06B	35	08B	40	10B	50	12B	60	16B	80	20B	100
Width between Inner Link Plates of Chain (mm)	5.72	4.78	7.75	7.95	9.65	9.53	11.68	12.70	17.02	15.88	19.56	19.05
Sprocket Teeth Width (mm)	5.30	4.30	7.20	7.20	8.70	8.70	11.00	11.70	16.10	14.60	17.60	17.60
Chain Roller Diameter (mm)	6.35	5.08	8.51	7.92	10.16	10.16	12.07	11.91	15.88	15.87	19.05	19.05

Welded Hubs & Sprockets

ANSI Platewheel sprockets with prepared taper bore to receive welded hubs

No of Teeth	ANSI-35 3/8" Pitch	ANSI-41 1/2" Pitch	ANSI-40 1/2" Pitch	ANSI-50 5/8" Pitch	ANSI-60 3/4" Pitch	ANSI-80 1" Pitch	ANSI-100 1.1/4" Pitch
9				60AVT9HT	80AWT9HT		
10				50AVT10HT	60AVT10HT	80AWT10HT	100AXT10HT
11				50AVT11HT	60AWT11HT	80AWT11HT	100AXT11HT
12		41AVT12HT	40AVT12HT	50AWT12HT	60AWT12HT	80AXT12HT	100AXT12HT
13		41AVT13HT	40AVT13HT	50AWT13HT	60AWT13HT	80AXT13HT	100AXT13HT
14		41AVT14HT	40AVT14HT	50AWT14HT	60AWT14HT	80AXT14HT	100AXT14HT
15	35AVT15HT	41AVT15HT	40AVT15HT	50AWT15HT	60AXT15HT	80AXT15HT	100AXT15HT
16	35AVT16HT	41AWT16HT	40AWT16HT	50AWT16HT	60AXT16HT	80AXT16HT	100AYS16HT
17	35AVT17HT	41AWT17HT	40AWT17HT	50AXT17HT	60AXT17HT	80AXT17HT	100AYS17HT
18	35AVT18HT	41AWT18HT	40AWT18HT	50AXT18HT	60AXT18HT	80AXT18HT	100AYS18HT
19	35AVT19HT	41AWT19HT	40AWT19HT	50AXT19HT	60AXT19HT	80AXT19HT	100AYS19HT
20	35AVT20HT	41AWT20HT	40AXT20HT	50AXT20HT	60AXT20HT	80AXT20HT	100AYS20HT
21	35AVT21HT	41AWT21HT	40AXT21HT	50AXT21HT	60AXT21HT	80AXT21HT	100AYS21HT
22	35AWT22HT	41AWT22HT	40AXT22HT	50AXT22HT	60AXT22HT	80AXT22HT	100AYS22HT
23	35AWT23HT	41AWT23HT	40AXT23HT	50AXT23HT	60AXT23HT	80AXT23HT	100AYS23HT
24	35AWT24HT	41AWT24HT	40AXT24HT	50AXT24HT	60AXT24HT	80AXT24HT	100AYS24
25	35AWT25HT	41AWT25HT	40AXT25HT	50AXT25HT	60AXT25HT	80AXT25HT	100AYS25
26	35AWT26HT	41AWT26HT	40AXT26HT	50AXT26HT	60AXT26HT	80AXT26HT	100AYS26
27	35AWT27HT	41AWT27HT	40AXT27HT	50AXT27HT	60AXT27HT	80AXT27HT	100AYS27
28	35AWT28HT	41AWT28HT	40AXT28HT	50AXT28HT	60AXT28HT	80AXT28HT	100AYS28
29	35AWT29HT	41AWT29HT	40AXT29HT	50AXT29HT	60AXT29HT	80AXT29HT	100AYS29
30	35AWT30HT	41AWT30HT	40AXT30HT	50AXT30HT	60AXT30HT	80AXT30HT	100AYS30
31	35AWT31HT	41AWT31HT	40AXT31HT	50AXT31HT	60AXT31HT	80AXT31	100AYS31
32	35AWT32HT	41AWT32HT	40AXT32HT	50AXT32HT	60AXT32HT	80AXT32	100AYS32
33	35AWT33HT	41AWT33HT	40AXT33HT	50AXT33HT	60AXT33HT	80AXT33	100AYS33
34	35AWT34HT	41AWT34HT	40AXT34HT	50AXT34HT	60AXT34HT	80AXT34	100AYS34
35	35AWT35HT	41AWT35HT	40AXT35HT	50AXT35HT	60AXT35HT	80AXT35	100AYS35
36	35AWT36HT	41AWT36HT	40AXT36HT	50AXT36HT	60AXT36HT	80AXT36	100AYS36
37	35AWT37HT	41AWT37HT	40AXT37HT	50AXT37HT	60AXT37HT	80AXT37	100AYS37
38	35AWT38HT	41AWT38HT	40AXT38HT	50AXT38HT	60AXT38HT	80AXT38	100AYS38
39	35AWT39HT	41AWT39HT	40AXT39HT	50AXT39HT	60AXT39HT	80AXT39	100AYS39
40	35AWT40HT	41AWT40HT	40AXT40HT	50AXT40HT	60AXT40HT	80AXT40	100AYS40
42	35AWT42	41AWT42	40AXT42	50AXT42	60AXT42	80AXT42	100AYS42
43	35AWT43	41AWT43	40AXT43	50AXT43	60AXT43	80AXT43	100AYS43
44	35AWT44	41AWT44	40AXT44	50AXT44	60AXT44	80AXT44	100AYS44
45	35AWT45	41AWT45	40AXT45	50AXT45	60AXT45	80AXT45	100AYS45
48	35AWT48	41AWT48	40AXT48	50AXT48	60AXT48	80AXT48	100AYS48
50	35AWT50	41AWT50	40AXT50	50AXT50	60AXT50	80AYS50	100AYS50
57	35AWT57	41AWT57	40AXT57	50AXT57	60AXT57	80AYS57	100AYS57
60	35AWT60	41AWT60	40AXT60	50AXT60	60AXT60	80AYS60	100AYS60
70	35AYS70	41AYS70	40AYS70	50AYS70	60AYS70	80AYS70	100AYS70
76	35AYS76	41AYS76	40AYS76	50AYS76	60AYS76	80AYS76	100AYS76
80	35AYS80	41AYS80	40AYS80	50AYS80	60AYS80	80AYS80	100AYS80
84	35AYS84	41AYS84	40AYS84	50AYS84	60AYS84	80AYS84	100AYS84
96	35AYS96	41AYS96	40AYS96	50AYS96	60AYS96	80AYS96	100AYS96

HT = Induction Hardened Teeth

Pitch BS/ANSI Chain Size	3/8"		1/2"		5/8"		3/4"		1"		1.1/4"	
	06B	35	08B	40	10B	50	12B	60	16B	80	20B	100
Width between Inner Link Plates of Chain (mm)	5.72	4.78	7.75	7.95	9.65	9.53	11.68	12.70	17.02	15.88	19.56	19.05
Sprocket Teeth Width (mm)	5.30	4.30	7.20	7.20	8.70	8.70	11.00	11.70	16.10	14.60	17.60	17.60
Chain Roller Diameter (mm)	6.35	5.08	8.51	7.92	10.16	10.16	12.07	11.91	15.88	15.87	19.05	19.05
Induction Hardened Teeth Up to & Including	40		40		40		35		30		23	

